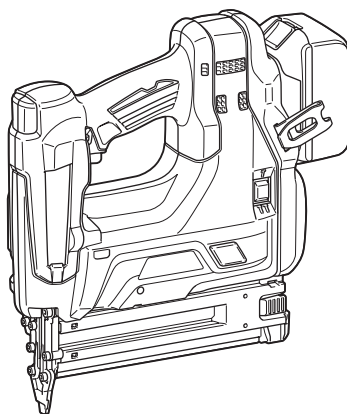


INSTRUCTION MANUAL
MANUEL D'INSTRUCTION
MANUAL DE INSTRUCCIONES



Cordless Brad Nailer Cloueur Brad Sans Fil Clavadora Inalámbrica

DBN500



IMPORTANT: Read Before Using.

IMPORTANT : Lire avant usage.

IMPORTANTE: Lea antes de usar.

SPECIFICATIONS

Model	DBN500	
Brad nail size	18 Ga x 15, 20, 25, 30, 32, 35, 38, 40, 45, 50 mm (18 Ga x 5/8", 3/4", 1", 1-3/16", 1-1/4", 1-3/8", 1-1/2", 1-5/8", 1-3/4", 2")	
Brad nail magazine capacity	100 pcs.	
Dimensions (L x W x H)	294 mm x 97 mm x 318 mm (11-5/8" x 3-13/16" x 12-1/2")	
Rated voltage	D.C. 18 V	
Net weight	3.2 kg (7.1 lbs)	3.5 kg (7.7 lbs)
Standard battery cartridges	BL1815N / BL1820B	BL1830 / BL1830B / BL1840B / BL1850B / BL1860B

- Due to our continuing program of research and development, the specifications herein are subject to change without notice.
- Specifications and battery cartridge may differ from country to country.
- Weight, with battery cartridge, according to EPTA-Procedure 01/2003

General Power Tool Safety Warnings

⚠WARNING Read all safety warnings and all instructions. Failure to follow the warnings and instructions may result in electric shock, fire and/or serious injury.

Save all warnings and instructions for future reference.

The term "power tool" in the warnings refers to your mains-operated (corded) power tool or battery-operated (cordless) power tool.

Work area safety

1. **Keep work area clean and well lit.** Cluttered or dark areas invite accidents.
2. **Do not operate power tools in explosive atmospheres, such as in the presence of flammable liquids, gases or dust.** Power tools create sparks which may ignite the dust or fumes.
3. **Keep children and bystanders away while operating a power tool.** Distractions can cause you to lose control.

Electrical safety

4. **Power tool plugs must match the outlet. Never modify the plug in any way. Do not use any adapter plugs with earthed (grounded) power tools.** Unmodified plugs and matching outlets will reduce risk of electric shock.
5. **Avoid body contact with earthed or grounded surfaces such as pipes, radiators, ranges and refrigerators.** There is an increased risk of electric shock if your body is earthed or grounded.
6. **Do not expose power tools to rain or wet conditions.** Water entering a power tool will increase the risk of electric shock.
7. **Do not abuse the cord. Never use the cord for carrying, pulling or unplugging the power tool. Keep cord away from heat, oil, sharp edges or moving parts.** Damaged or entangled cords increase the risk of electric shock.

8. **When operating a power tool outdoors, use an extension cord suitable for outdoor use.** Use of a cord suitable for outdoor use reduces the risk of electric shock.
9. **If operating a power tool in a damp location is unavoidable, use a ground fault circuit interrupter (GFCI) protected supply.** Use of an GFCI reduces the risk of electric shock.

Personal safety

10. **Stay alert, watch what you are doing and use common sense when operating a power tool. Do not use a power tool while you are tired or under the influence of drugs, alcohol or medication.** A moment of inattention while operating power tools may result in serious personal injury.
11. **Use personal protective equipment. Always wear eye protection.** Protective equipment such as dust mask, non-skid safety shoes, hard hat, or hearing protection used for appropriate conditions will reduce personal injuries.
12. **Prevent unintentional starting. Ensure the switch is in the off-position before connecting to power source and/or battery pack, picking up or carrying the tool.** Carrying power tools with your finger on the switch or energising power tools that have the switch on invites accidents.
13. **Remove any adjusting key or wrench before turning the power tool on.** A wrench or a key left attached to a rotating part of the power tool may result in personal injury.
14. **Do not overreach. Keep proper footing and balance at all times.** This enables better control of the power tool in unexpected situations.
15. **Dress properly. Do not wear loose clothing or jewellery. Keep your hair, clothing, and gloves away from moving parts.** Loose clothes, jewellery or long hair can be caught in moving parts.
16. **If devices are provided for the connection of dust extraction and collection facilities, ensure these are connected and properly used.** Use of dust collection can reduce dust-related hazards.

Power tool use and care

17. **Do not force the power tool. Use the correct power tool for your application.** The correct power tool will do the job better and safer at the rate for which it was designed.
18. **Do not use the power tool if the switch does not turn it on and off.** Any power tool that cannot be controlled with the switch is dangerous and must be repaired.
19. **Disconnect the plug from the power source and/or the battery pack from the power tool before making any adjustments, changing accessories, or storing power tools.** Such preventive safety measures reduce the risk of starting the power tool accidentally.
20. **Store idle power tools out of the reach of children and do not allow persons unfamiliar with the power tool or these instructions to operate the power tool.** Power tools are dangerous in the hands of untrained users.
21. **Maintain power tools. Check for misalignment or binding of moving parts, breakage of parts and any other condition that may affect the power tool's operation. If damaged, have the power tool repaired before use.** Many accidents are caused by poorly maintained power tools.
22. **Keep cutting tools sharp and clean.** Properly maintained cutting tools with sharp cutting edges are less likely to bind and are easier to control.
23. **Use the power tool, accessories and tool bits etc. in accordance with these instructions, taking into account the working conditions and the work to be performed.** Use of the power tool for operations different from those intended could result in a hazardous situation.

Battery tool use and care

24. **Recharge only with the charger specified by the manufacturer.** A charger that is suitable for one type of battery pack may create a risk of fire when used with another battery pack.
25. **Use power tools only with specifically designated battery packs.** Use of any other battery packs may create a risk of injury and fire.
26. **When battery pack is not in use, keep it away from other metal objects, like paper clips, coins, keys, nails, screws or other small metal objects, that can make a connection from one terminal to another.** Shorting the battery terminals together may cause burns or a fire.
27. **Under abusive conditions, liquid may be ejected from the battery; avoid contact. If contact accidentally occurs, flush with water. If liquid contacts eyes, additionally seek medical help.** Liquid ejected from the battery may cause irritation or burns.

Service

28. **Have your power tool serviced by a qualified repair person using only identical replacement parts.** This will ensure that the safety of the power tool is maintained.
29. **Follow instruction for lubricating and changing accessories.**
30. **Keep handles dry, clean and free from oil and grease.**

CORDLESS NAILER SAFETY WARNINGS

1. **Always assume that the tool contains fasteners.** Careless handling of the nailer can result in unexpected firing of fasteners and personal injury.
2. **Do not point the tool towards yourself or anyone nearby.** Unexpected triggering will discharge the fastener causing an injury.
3. **Do not actuate the tool unless the tool is placed firmly against the workpiece.** If the tool is not in contact with the workpiece, the fastener may be deflected away from your target.
4. **Disconnect the tool from the power source when the fastener jams in the tool.** While removing a jammed fastener, the nailer may be accidentally activated if it is plugged in.
5. **Use caution while removing a jammed fastener.** The mechanism may be under compression and the fastener may be forcefully discharged while attempting to free a jammed condition.
6. **Do not use this nailer for fastening electrical cables.** It is not designed for electric cable installation and may damage the insulation of electric cables thereby causing electric shock or fire hazards.
7. **Always wear safety goggles or safety glasses with side shield, and a full face shield when needed.**
8. **Keep hands and feet away from the ejection port area.**
9. **Follow instruction for lubricating and changing accessories.**
10. **Always remove the battery cartridge before loading the fasteners, adjustment, inspection, maintenance or after operation is over.**
11. **Make sure no one is nearby before operation. Never attempt to drive fasteners from both the inside and outside of wall at the same time. Fasteners may rip through and/or fly off, presenting a grave danger.**
12. **Watch your footing and maintain your balance with the tool. Make sure there is no one below when working in high locations.**
13. **Never use fastener driving tools marked with the symbol "Do not use on scaffoldings, ladders" for specific application for example:**
 - when changing one driving location to another involves the use of scaffoldings, stairs, ladders, or ladder alike constructions, e.g. roof laths;
 - closing boxes or crates;
 - fitting transportation safety systems e.g. on vehicles and wagons.
14. **Check walls, ceilings, floors, roofing and the like carefully to avoid possible electrical shock, gas leakage, explosions, etc. caused by stapling into live wires, conduits or gas pipes.**
15. **Use only fasteners specified in this manual. The use of any other fasteners may cause malfunction of the tool.**
16. **Do not tamper with the tool or attempt to use it for other than driving fasteners.**

17. Do not operate the tool without fasteners. It shortens the service life of the tool.
 18. Stop driving operations immediately if you notice something wrong or out of the ordinary with the tool.
 19. Never drive fastener into any materials which may allow the fastener to puncture and fly through as a projectile.
 20. Never actuate the switch trigger and safety lever at the same time until you are prepared to fastener workpieces. Allow the workpiece to depress the safety lever. Never defeat its purpose by securing the safety lever back or by depressing it by hand.
 21. Never tamper with the safety lever. Check the safety lever frequently for proper operations.
 22. Always remove fasteners from the tool when not in use.
5. Do not short the battery cartridge:
 - (1) Do not touch the terminals with any conductive material.
 - (2) Avoid storing battery cartridge in a container with other metal objects such as nails, coins, etc.
 - (3) Do not expose battery cartridge to water or rain.

A battery short can cause a large current flow, overheating, possible burns and even a breakdown.
 6. Do not store the tool and battery cartridge in locations where the temperature may reach or exceed 50°C (122°F).
 7. Do not incinerate the battery cartridge even if it is severely damaged or is completely worn out. The battery cartridge can explode in a fire.
 8. Be careful not to drop or strike battery.
 9. Do not use a damaged battery.
 10. Follow your local regulations relating to disposal of battery.

SAVE THESE INSTRUCTIONS.

⚠WARNING: DO NOT let comfort or familiarity with product (gained from repeated use) replace strict adherence to safety rules for the subject product. MISUSE or failure to follow the safety rules stated in this instruction manual may cause serious personal injury.

Symbols

The followings show the symbols used for tool.



Read and understand tool labels and manual.



Operators and others in work area must wear safety glasses with side shields.



Keep fingers away from trigger when not driving fasteners to avoid accidental firing.

V

volts



direct current

IMPORTANT SAFETY INSTRUCTIONS

FOR BATTERY CARTRIDGE

1. Before using battery cartridge, read all instructions and cautionary markings on (1) battery charger, (2) battery, and (3) product using battery.
2. Do not disassemble battery cartridge.
3. If operating time has become excessively shorter, stop operating immediately. It may result in a risk of overheating, possible burns and even an explosion.
4. If electrolyte gets into your eyes, rinse them out with clear water and seek medical attention right away. It may result in loss of your eyesight.

SAVE THESE INSTRUCTIONS.

⚠CAUTION: Only use genuine Makita batteries. Use of non-genuine Makita batteries, or batteries that have been altered, may result in the battery bursting causing fires, personal injury and damage. It will also void the Makita warranty for the Makita tool and charger.

Tips for maintaining maximum battery life

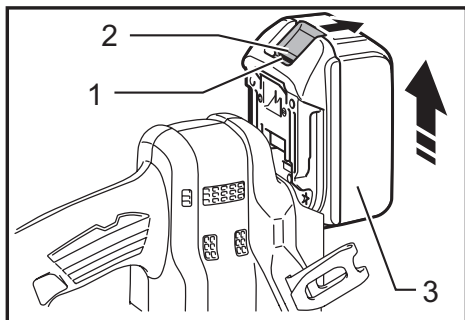
1. Charge the battery cartridge before completely discharged. Always stop tool operation and charge the battery cartridge when you notice less tool power.
2. Never recharge a fully charged battery cartridge. Overcharging shortens the battery service life.
3. Charge the battery cartridge with room temperature at 10°C - 40°C (50°F - 104°F). Let a hot battery cartridge cool down before charging it.
4. Charge the battery cartridge if you do not use it for a long period (more than six months).

FUNCTIONAL DESCRIPTION

⚠ CAUTION:

- Always be sure that the tool is switched off and the battery cartridge is removed before adjusting or checking function on the tool.

Installing or removing battery cartridge



► 1. Red indicator 2. Button 3. Battery cartridge

⚠ CAUTION:

- Always switch off the tool before installing or removing of the battery cartridge.
- **Hold the tool and the battery cartridge firmly when installing or removing battery cartridge.** Failure to hold the tool and the battery cartridge firmly may cause them to slip off your hands and result in damage to the tool and battery cartridge and a personal injury.

To remove the battery cartridge, slide it from the tool while sliding the button on the front of the cartridge. To install the battery cartridge, align the tongue on the battery cartridge with the groove in the housing and slip it into place. Insert it all the way until it locks in place with a little click. If you can see the red indicator on the upper side of the button, it is not locked completely.

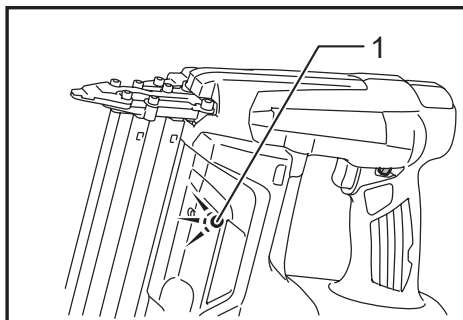
⚠ CAUTION:

- Always install the battery cartridge fully until the red indicator cannot be seen. If not, it may accidentally fall out of the tool, causing injury to you or someone around you.
- Do not install the battery cartridge forcibly. If the cartridge does not slide in easily, it is not being inserted correctly.

Tool / battery protection system

The tool is equipped with a tool/battery protection system. This system automatically cuts off power to the motor to extend tool and battery life.

The tool will automatically stop during operation if the tool or battery are placed under one of the following conditions. In some conditions, the indicators light up.



► 1. Battery indicator

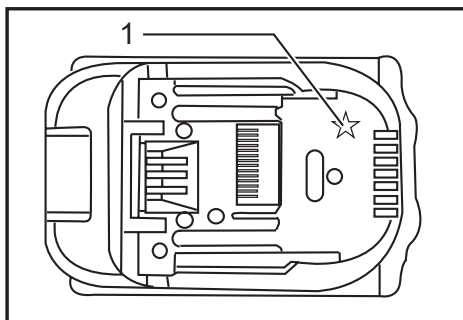
Overheat protection for tool

When the tool is overheated, the tool stops automatically and the indicator blinks about 60 seconds. In this situation, let the tool cool before turning the tool on again.

Overheat protection for battery

When the battery is overheated, the tool stops automatically and the battery indicator lights up about 60 seconds. The tool does not start even if pulling the switch trigger. In this situation, let the battery cool before turning the tool on again.

NOTE: The battery overheat protection works only with a battery cartridge with a star marking.



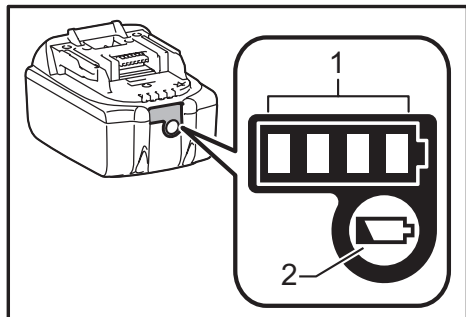
► 1. Star marking

Overdischarge protection

When the remaining battery capacity gets low, the indicator blinks. By further use, the tool stops and the indicator lights up about 60 seconds. In this situation, charge the battery cartridge.

Indicating the remaining battery capacity

(Only for battery cartridges with "B" at the end of the model number.)



► 1. Indicator lamps 2. Check button

Press the check button on the battery cartridge to indicate the remaining battery capacity. The indicator lamps light up for few seconds.

Indicator lamps			Remaining capacity
Lighted	Off	Blinking	
■ ■ ■ ■			75% to 100%
■ ■ ■ □			50% to 75%
■ ■ □ □			25% to 50%
■ □ □ □			0% to 25%
▬ □ □ □			Charge the battery.
■ □ □ □	↑ ↓	□ □ ■ ■	The battery may have malfunctioned.

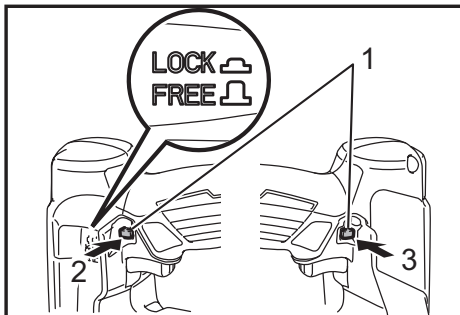
NOTE:

- Depending on the conditions of use and the ambient temperature, the indication may differ slightly from the actual capacity.

Using the trigger lock

CAUTION:

- When not in use or after operating the tool, always lock the trigger with the trigger lock.



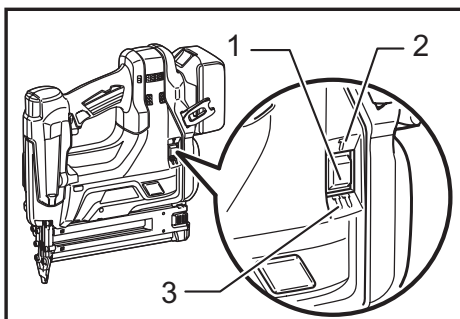
► 1. Trigger lock 2. Press to Lock position 3. Press to Free position

The tool has trigger lock to avoid accidents by an unintentional start. The trigger lock makes the trigger unmovable and let the tool cause no firing.

To lock the trigger, set the lock button in the "LOCK" position.

Before nailing, set the lock button in the "FREE" position. When not in use, always set it in the "LOCK" position and remove the battery cartridge from the tool.

Nailing mode selection



► 1. Mode selecting button 2. Sequential mode 3. Continuous mode

The tool has two different nailing modes. Select the desired nailing by the mode selecting button. For more detail, see the section "OPERATION".

Intermittent nailing (sequential mode)

This mode suits for driving a nail carefully and accurately.

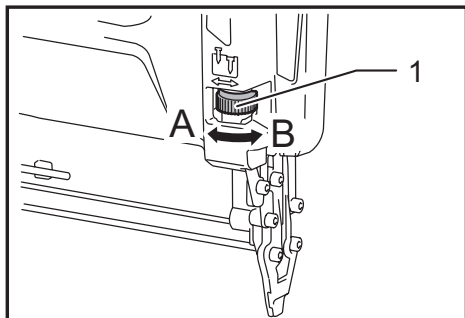
Continuous/ intermittent nailing (continuous mode)

When the tool is set to this mode, you can choose either continuous or intermittent nailing by sequences of the trigger operation.

Adjusting the nailing depth

⚠ WARNING:

- Always make sure that your fingers are not placed on the trigger, and the battery cartridge and nails are removed.



► 1. Adjuster

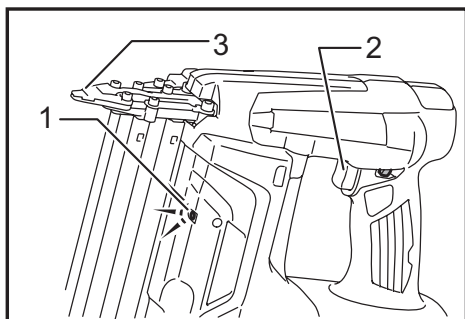
To get shallower depth, turn the adjuster to A direction as shown in the figure. To get deeper depth, turn the adjuster to B direction.

Do not turn the adjuster too much, or the adjuster may get stuck.

Lighting up the lamp

⚠ CAUTION:

- Do not look in the light or see the source of light directly.



► 1. Lamp 2. Trigger 3. Driver guide (contact element)

To turn on the lamp, pull the trigger or place the contact element against the workpiece. Release the trigger or contact element to turn it off.

The lamp goes out 10 seconds after releasing the trigger or contact element from the workpiece.

NOTE:

- Use a dry cloth to wipe the dirt off the lens of lamp. Be careful not to scratch the lens of lamp, or it may lower the illumination.
- Even in the lamp lights up when the battery power residual gets small, the nailer may not fire nails. In this case, charge the battery cartridge.

ASSEMBLY

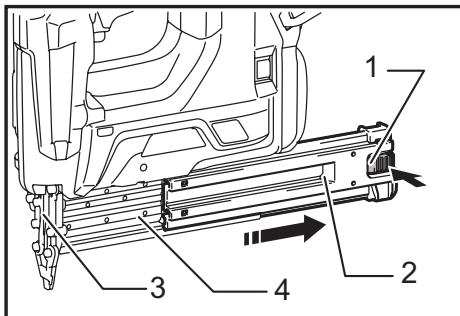
⚠ CAUTION:

- Always make sure that your fingers are not placed on the trigger, and the battery cartridge and nails are removed before carrying out any work on the nailer.

Loading or unloading the nails

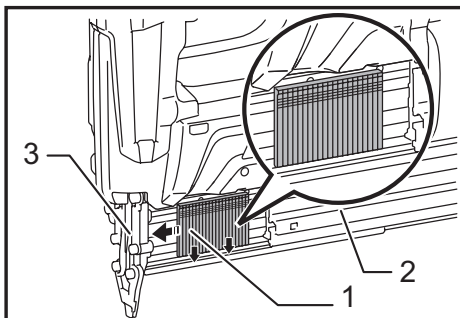
⚠ CAUTION:

- Always make sure that your fingers are not placed on the trigger and the battery cartridge is removed before loading nails.
- Do not abruptly slide the slide door of the nailer loaded with nails. Accidentally dropping nails especially when working in high places may cause personal injuries.
- Load nails in the correct direction. Loading in wrong direction may cause premature wear and tear of the driver and damage of the other parts.
- Do not use deformed connected nails. Use nails specified in this manual. Using nails other than those specified may cause nail jamming and breakage of the nailer.



► 1. Lock lever 2. Slide door 3. Driver guide
4. Magazine

Press the lock lever and open the slide door of the magazine.



► 1. Nails 2. Slide door 3. Driver guide

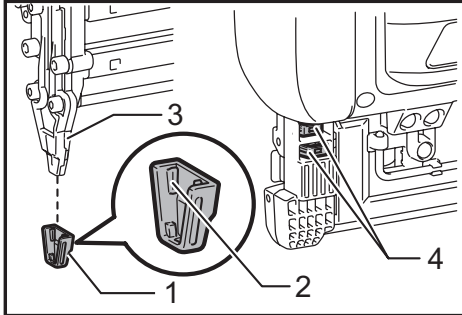
Set the nail strip so that the nail tips touch the bottom of the magazine slit and slide the nail strip toward the firing opening. Return the slide door to the original position until the lock lever locks it.

To remove the nails, press the lock lever and slide the slide door. Take out nails from the magazine slit.

Nose adapter

⚠ CAUTION:

- Always make sure that your fingers are not placed on the trigger, and the battery cartridge and nails are removed before installing the nose adapter.



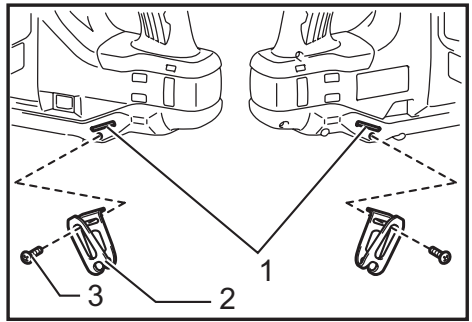
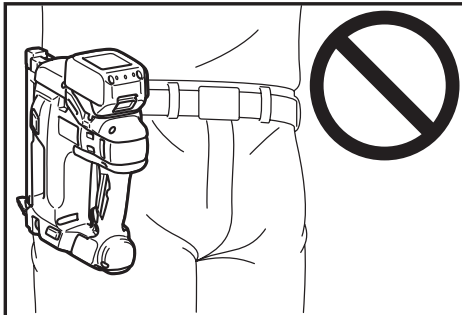
► 1. Nose adapter 2. Protrusion 3. Center plate
4. Holder

When firing nails on the material to be fastened with easily-marred surfaces, use the nose adapter. To install the nose adapter, place it over the center plate so that the protrusion inside the nose adapter fits to the slit in the driver guide cover. When not in use, store the nose adapter in the holder at the back end of the slide door to keep it from being lost. Total two nose adapters can be stored.

Hook

⚠ CAUTION:

- Always make sure that your fingers are not placed on the trigger, and the battery cartridge and nails are removed before using the hook.
- Do not hang the hook from the waist belt. Dropping the nailer, which is caused by the hook accidentally coming out of place, may cause misfiring and personal injuries.

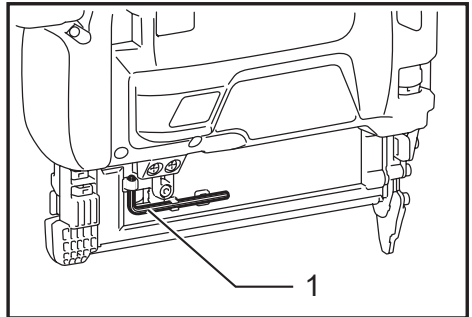


► 1. Groove 2. Hook 3. Screw

The hook is convenient for temporarily hanging the tool. This can be installed on either side of the tool.

To install the hook, insert it into a groove in the tool housing on either side and then secure it with a screw. To remove, loosen the screw and then take it out.

Hex wrench storage



► 1. Hex wrench

When not in use, store the hex wrench as shown in the figure to keep it from being lost.

OPERATION

Inspecting trigger function

⚠ CAUTION:

- Make sure that the trigger function is in working order before each operation. If you find issues described below, ask Makita Authorized Service Centers for repairs.
- Before installing the battery cartridge into the tool, always check to see that the switch trigger actuates properly and returns to the "OFF" position when released.

The tool must not operate only by pulling the trigger or only by placing the contact element against the work piece.

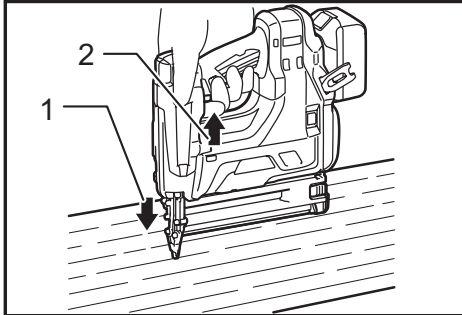
Driving nails

⚠ CAUTION:

- Always be sure to first place the contact element against the workpiece before pulling the trigger.

Select the nailing mode by pressing the mode selecting button as mentioned in the section "Nailing mode selection".

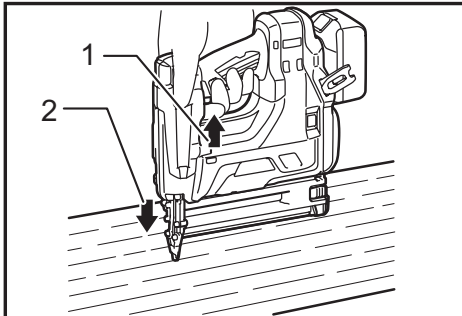
Intermittent nailing (sequential mode)



- ▶ 1. Place the contact element against workpiece.
2. Pull the trigger

To drive a nail, set the lock button to the "FREE" position. Place the contact element against the workpiece and pull the trigger. Release the trigger after each operation.

Continuous/ intermittent nailing (continuous mode)



- ▶ 1. Pull the trigger 2. Place the contact element against workpiece.

When the tool is set to continuous mode, you can operate either continuous or intermittent nailing. To drive a nail, set the lock button to the "FREE" position.

- For continuous nailing, pull the trigger first and then place the contact element against the workpiece. For the next actuation, you do not need to release the trigger.
- For intermittent nailing, place the contact element against the workpiece and pull the trigger. For the next actuation, you need to reset the trigger first.

NOTE:

- This tool stops automatically under the following conditions:
 - If you release the trigger or contact element from workpiece before the tool finishes the operation completely. In this situation, pull the trigger again until the tool turns into standby.
 - When keep either pulling the trigger or placing the contact element about 5 seconds without another action. In this case, release the trigger or the contact element from workpiece to restart the operation.

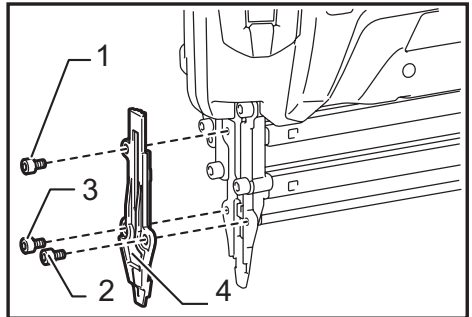
Anti dry fire mechanism

This tool is equipped with an anti dry fire mechanism. It automatically stops driving nails when the remaining nails finish. In this case, load more nails to resume operation.

Removing jammed nails

⚠ WARNING:

- Always make sure that the trigger is released, and the battery cartridge and nails are removed before removing jammed nails.



- ▶ 1. Hex bolt A 2. Hex bolt B 3. Hex bolt C 4. Driver guide cover

Remove hex bolts they are securing the driver guide cover with the hex wrench.

Take the jammed nails from the nail guide groove that has appeared.

Secure the driver guide cover with hex bolts in the correct order. Tighten the hex bolt A, B and then C.

NOTE:

- After securing the driver guide cover, always make sure that the driver guide cover actuates properly. If it does not actuate properly, remove hex bolts and install the driver guide cover again.

Nails

Handle nails and their box carefully. If the nails have been handled roughly, they may be out of shape or their connector breaks, causing poor nail feed. Avoid storing nails in a very humid or hot place or place exposed to direct sunlight.

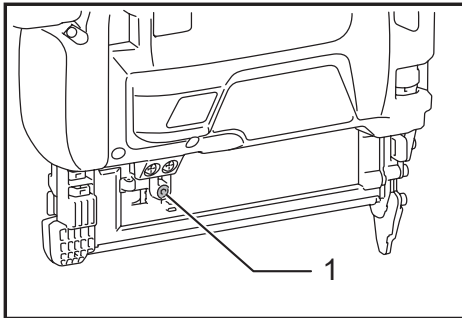
MAINTENANCE

⚠ CAUTION:

- Always be sure that the tool is switched off and the battery cartridge and nails are removed before attempting to perform inspection or maintenance.
- Never use gasoline, benzene, thinner, alcohol or the like. Discoloration, deformation or cracks may result.

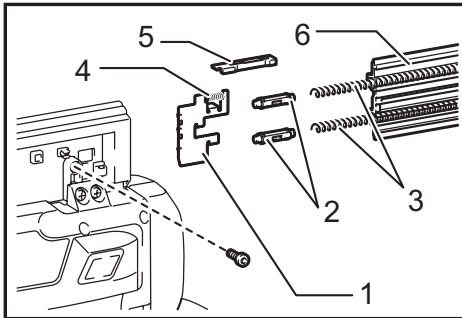
Cleaning of magazine

When the pusher in the magazine does not move smoothly because of dust, sand, chips or other foreign matters, clean the magazine.



- 1. Hex bolt

To remove the slide door, loosen the hex bolt on the magazine.



- 1. Pusher 2. Sleeve 3. Spring (large) 4. Spring (small) 5. Stopper 6. Slide door

Pull the pusher from the slide door and then remove the stopper, sleeves and springs.

After cleaning, install the whole parts into the slide door.

To install them, take the following procedure.

1. Install the large spring into the slide door.
2. Install the parts onto the pusher in the correct order, sleeve, small spring and then stopper.
3. Install the pusher with the other parts onto the slide door.

NOTE:

- When you pull out the pusher from the slide door, the parts in the slide door may bounce out.
- When you install the pusher with the other parts to the slide door, make slight spaces between the pusher and sleeves.

To maintain product SAFETY and RELIABILITY, repairs, any other maintenance or adjustment should be performed by Makita Authorized or Factory Service Centers, always using Makita replacement parts.

OPTIONAL ACCESSORIES

⚠ CAUTION:

- These accessories or attachments are recommended for use with your Makita tool specified in this manual. The use of any other accessories or attachments might present a risk of injury to persons. Only use accessory or attachment for its stated purpose.

If you need any assistance for more details regarding these accessories, ask your local Makita Service Center.

- Nails
- Makita genuine battery and charger

NOTE:

- Some items in the list may be included in the tool package as standard accessories. They may differ from country to country.

MAKITA LIMITED WARRANTY

Please refer to the annexed warranty sheet for the most current warranty terms applicable to this product. If annexed warranty sheet is not available, refer to the warranty details set forth at below website for your respective country.

United States of America: www.makitatools.com

Canada: www.makita.ca

Other countries: www.makita.com

SPÉCIFICATIONS

Modèle	DBN500	
Taille de clou brad	18 Ga x 15, 20, 25, 30, 32, 35, 38, 40, 45, 50 mm (18 Ga x 5/8", 3/4", 1", 1-1/4", 1-1/2", 1-3/8", 1-1/2", 1-5/8", 1-3/4", 2")	
Capacité du magasin de clous brad	100 unités	
Dimensions (L x P x H)	294 mm x 97 mm x 318 mm (11-5/8" x 3-13/16" x 12-1/2")	
Tension nominale	C.C. 18 V	
Poids net	3,2 kg (7,1 lbs)	3,5 kg (7,7 lbs)
Batteries standard	BL1815N / BL1820B	BL1830 / BL1830B / BL1840B / BL1850B / BL1860B

- Étant donné l'évolution constante de notre programme de recherche et de développement, les spécifications contenues dans ce manuel sont sujettes à modification sans préavis.
- Les caractéristiques techniques et la batterie peuvent varier suivant les pays.
- Poids, batterie comprise, conforme à la procédure EPTA de 01/2003

Consignes de sécurité générales pour outils électriques

⚠ MISE EN GARDE Veuillez lire toutes les mises en garde de sécurité et toutes les instructions. L'ignorance des mises en garde et des instructions comporte un risque de choc électrique, d'incendie et/ou de blessure grave.

Conservez toutes les mises en garde et instructions pour référence future.

Le terme « outil électrique » qui figure dans les avertissements fait référence à un outil électrique branché sur une prise de courant (par un cordon d'alimentation) ou alimenté par batterie (sans fil).

Sécurité de la zone de travail

1. **Maintenez la zone de travail propre et bien éclairée.** Les zones de travail encombrées ou sombres ouvrent grande la porte aux accidents.
2. **N'utilisez pas les outils électriques dans les atmosphères explosives, par exemple en présence de liquides, gaz ou poussières inflammables.** Les outils électriques produisent des étincelles au contact desquelles la poussière ou les vapeurs peuvent s'enflammer.
3. **Assurez-vous qu'aucun enfant ou curieux ne s'approche pendant que vous utilisez un outil électrique.** Vous risquez de perdre la maîtrise de l'outil si votre attention est détournée.

Sécurité en matière d'électricité

4. **Les fiches d'outil électrique sont conçues pour s'adapter parfaitement aux prises de courant. Ne modifiez jamais la fiche de quelque façon que ce soit. N'utilisez aucun adaptateur de fiche sur les outils électriques avec mise à la terre.** En ne modifiant pas les fiches et en les insérant dans des prises de courant pour lesquelles elles ont été conçues vous réduirez les risques de choc électrique.

5. **Évitez tout contact corporel avec les surfaces mises à la terre, telles que les tuyaux, radiateurs, cuisinières et réfrigérateurs.** Le risque de choc électrique est plus élevé si votre corps se trouve mis à la terre.
6. **N'exposez pas les outils électriques à la pluie ou à l'eau.** La présence d'eau dans un outil électrique augmente le risque de choc électrique.
7. **Ne maltraitez pas le cordon. N'utilisez jamais le cordon pour transporter, tirer ou débrancher l'outil électrique. Maintenez le cordon à l'écart des sources de chaleur, de l'huile, des objets à bords tranchants et des pièces en mouvement.** Le risque de choc électrique est plus élevé lorsque les cordons sont endommagés ou enchevêtrés.
8. **Lorsque vous utilisez un outil électrique à l'extérieur, utilisez un cordon prolongateur prévu à cette fin.** Les risques de choc électrique sont moindres lorsqu'un cordon conçu pour l'extérieur est utilisé.
9. **Si vous devez utiliser un outil électrique dans un endroit humide, utilisez une source d'alimentation protégée par un disjoncteur de fuite à la terre.** L'utilisation d'un disjoncteur de fuite à la terre réduit le risque de choc électrique.

Sécurité personnelle

10. **Restez alerte, attentif à vos mouvements et faites preuve de bon sens lorsque vous utilisez un outil électrique. Évitez d'utiliser un outil électrique si vous êtes fatigué ou si vous avez pris une drogue, de l'alcool ou un médicament.** Un moment d'inattention pendant l'utilisation d'un outil électrique peut entraîner une grave blessure.
11. **Portez des dispositifs de protection personnelle. Portez toujours un protecteur pour la vue.** Les risques de blessure seront moins élevés si vous utilisez des dispositifs de protection tels qu'un masque antipoussière, des chaussures à semelle antidérapante, une coiffure résistante ou une protection d'oreilles.

12. **Évitez les démarrages accidentels. Assurez-vous que l'interrupteur soit en position d'arrêt avant de brancher l'outil à la prise électrique et/ou au bloc-piles, avant de prendre ou de transporter l'outil.** Vous ouvrez la porte aux accidents si vous transportez les outils électriques avec le doigt sur l'interrupteur ou si vous les branchez alors que l'interrupteur est en position de marche.
13. **Retirez toute clé de réglage ou de serrage avant de mettre l'outil sous tension.** Toute clé laissée en place sur une pièce rotative de l'outil électrique peut entraîner une blessure.
14. **Maintenez une bonne position. Assurez-vous d'une bonne prise au sol et d'une bonne position d'équilibre en tout temps.** Cela vous permettra d'avoir une meilleure maîtrise de l'outil dans les situations imprévues.
15. **Portez des vêtements adéquats. Ne portez ni vêtements amples ni bijoux. Vous devez maintenir cheveux, vêtements et gants à l'écart des pièces en mouvement.** Les pièces en mouvement peuvent happer les vêtements amples, les bijoux et les cheveux longs.
16. **Si des accessoires sont fournis pour raccorder un appareil d'aspiration et de collecte de la poussière, assurez-vous qu'ils sont correctement raccordés et qu'ils sont utilisés de manière adéquate.** L'utilisation d'un appareil d'aspiration permet de réduire les risques liés à la présence de poussière dans l'air.

Utilisation et entretien des outils électriques

17. **Ne forcez pas l'outil électrique. Utilisez l'outil électrique adéquat suivant le type de travail à effectuer.** Si vous utilisez l'outil électrique adéquat et respectez le régime pour lequel il a été conçu, il effectuera un travail de meilleure qualité et de façon plus sécuritaire.
18. **N'utilisez pas l'outil électrique s'il n'est pas possible de mettre sa gâchette en position de marche et d'arrêt.** Un outil électrique dont l'interrupteur est défectueux représente un danger et doit être réparé.
19. **Débranchez la fiche de la source d'alimentation et/ou retirez le bloc-piles de l'outil électrique avant d'effectuer tout réglage, de changer un accessoire ou de ranger l'outil électrique.** De telles mesures préventives réduisent les risques de démarrage accidentel de l'outil électrique.
20. **Après l'utilisation d'un outil électrique, rangez-le hors de portée des enfants et ne laissez aucune personne l'utiliser si elle n'est pas familiarisée avec l'outil électrique ou les présentes instructions d'utilisation.** Les outils électriques représentent un danger entre les mains de personnes qui n'en connaissent pas le mode d'utilisation.
21. **Veillez à l'entretien des outils électriques. Assurez-vous que les pièces mobiles ne sont pas désalignées ou coincées, qu'aucune pièce n'est cassée et que l'outil électrique n'a subi aucun dommage affectant son bon fonctionnement.** Le cas échéant, faites réparer l'outil électrique avant de l'utiliser. De nombreux accidents sont causés par des outils électriques mal entretenus.

22. **Maintenez les outils tranchants bien aiguisés et propres.** Un outil tranchant dont l'entretien est effectué correctement et dont les bords sont bien aiguisés risquera moins de se coincer et sera plus facile à maîtriser.
23. **Utilisez l'outil électrique, ses accessoires, ses embouts, etc., en respectant les présentes instructions, en tenant compte des conditions de travail et du type de travail à effectuer.** L'utilisation d'un outil électrique à des fins autres que celles prévues peut entraîner une situation dangereuse.

Utilisation et entretien des outils alimentés par batterie

24. **Pour recharger, utilisez uniquement le chargeur spécifié par le fabricant.** L'utilisation d'un chargeur conçu pour un type donné de bloc-piles comporte un risque d'incendie lorsqu'il est utilisé avec un autre type de bloc-piles.
25. **N'utilisez un outil électrique qu'avec le bloc-piles conçu spécifiquement pour cet outil.** Il y a un risque de blessure ou d'incendie si un autre bloc-piles est utilisé.
26. **Lorsque vous n'utilisez pas le bloc-piles, rangez-le à l'écart des objets métalliques tels que trombones, pièces de monnaie, clés, clous, vis ou autres petits objets métalliques qui risquent d'établir une connexion entre les bornes.** La mise en court-circuit des bornes de batterie peut causer des brûlures ou un incendie.
27. **Dans des conditions d'utilisation inadéquates de la batterie, il peut y avoir fuite d'électrolyte; évitez tout contact avec ce liquide. En cas de contact accidentel, rincez avec beaucoup d'eau. Si le liquide pénètre dans vos yeux, il faut aussi consulter un médecin.** L'électrolyte qui s'échappe de la batterie peut causer des irritations ou des brûlures.

Réparation

28. **Faites réparer votre outil électrique par un réparateur qualifié qui utilise des pièces de rechange identiques aux pièces d'origine.** Le maintien de la sûreté de l'outil électrique sera ainsi assuré.
29. **Suivez les instructions de lubrification et de changement des accessoires.**
30. **Maintenez les poignées de l'outil sèches, propres et exemptes d'huile ou de graisse.**

CONSIGNES DE SÉCURITÉ POUR LA CLOUÈUSE SANS FIL

1. **Tenez toujours pour acquis que l'outil est chargé de petits clous.** Une mauvaise manipulation de la cloueuse peut causer son déclenchement accidentel et des blessures.
2. **Ne pointez jamais l'outil vers vous-même ou une autre personne se trouvant près de vous.** En cas de déclenchement accidentel un clou serait éjecté et risquerait de causer une blessure.
3. **N'activez pas l'outil avant qu'il ne soit fermement placé contre la pièce à travailler.** Si l'outil n'est pas en contact avec la pièce, le clou risque de dévier de sa cible.

4. **Débranchez l'outil de sa source d'alimentation lorsqu'un clou se coince dans l'outil.** Branchée, la cloueuse risquerait de se déclencher accidentellement pendant que vous retirez le clou coincé.
5. **Soyez prudent lorsque vous retirez un clou coincé.** Le mécanisme peut être soumis à une forte pression et la cloueuse risque de se déclencher pendant que vous essayez de la débloquer.
6. **N'utilisez pas cette cloueuse pour fixer des câbles électriques.** Cet outil n'est pas conçu pour l'installation de câbles électriques; il pourrait endommager l'isolation des câbles, ce qui entraîne un risque d'électrocution ou d'incendie.
7. **Portez toujours des lunettes à coques ou des lunettes de sécurité avec une visière, ainsi qu'un écran facial lorsque nécessaire.**
8. **Gardez les mains et les pieds hors de portée de la zone du port d'éjection.**
9. **Suivez les instructions de lubrification et de changement des accessoires.**
10. **Avant de charger des agrafes, de procéder à un réglage, de faire une inspection, d'effectuer un entretien ou lorsque l'utilisation est terminée, retirez toujours la batterie.**
11. **Assurez-vous que personne ne se trouve à proximité avant de l'utiliser. Ne tentez jamais de fixer des agrafes de l'intérieur et de l'extérieur d'un mur simultanément. Ils pourraient passer à travers et/ou voler au hasard, ce qui pourrait représenter un danger grave.**
12. **Regardez où vous mettez les pieds et assurez-vous d'une prise équilibrée sur l'outil. Assurez-vous qu'il n'y a personne en bas lorsque vous travaillez dans des endroits élevés.**
13. **N'utilisez jamais d'outils de fixation d'agrafes portant l'avertissement « Ne pas utiliser sur des échafaudages ou des échelles » pour certaines applications spécifiques, par exemple :**
 - lorsque le changement du lieu d'utilisation entraîne l'utilisation d'échafaudages, d'escaliers, d'échelles ou d'éléments semblables, tels que des charpentes de toits ;
 - lors de la fermeture de boîtes ou de caisses ;
 - lors de l'ajustement de systèmes de sécurité pour le transport, par exemple sur des véhicules ou des remorques.
14. **Vérifiez soigneusement les murs, plafonds, planchers, toits et surfaces similaires pour éviter les risques de choc électrique, de fuite de gaz, d'explosion, etc., causés par le clouage sur des fils exposés, des conduits ou des tuyaux de gaz.**
15. **Utilisez uniquement les agrafes spécifiées dans ce manuel. L'utilisation de tout autre type d'agrafes peut causer le dysfonctionnement de l'outil.**
16. **Ne modifiez pas l'outil et ne tentez pas de l'utiliser pour autre chose que fixer des agrafes.**
17. **N'utilisez pas l'outil sans agrafes. Cela réduit la durée de vie de l'outil.**
18. **Cessez immédiatement le clouage si vous notez une anomalie ou un fonctionnement inhabituel de l'outil.**
19. **Ne plantez jamais de clous dans un matériau qui permettrait au clou de traverser et de s'envoler comme un projectile.**
20. **N'actionnez jamais le déclencheur et le levier de sécurité simultanément si vous n'êtes pas prêt à agraffer. Laissez la pièce faire en sorte que le levier de sécurité s'abaisse. N'évitez jamais son fonctionnement en bloquant vers l'arrière le levier de sécurité ou en l'abaissant manuellement.**
21. **Ne modifiez jamais le levier de sécurité. Vérifiez régulièrement le bon fonctionnement du levier de sécurité.**
22. **Retirez toujours les agrafes de l'outil lorsque celui-ci n'est pas utilisé.**

CONSERVEZ CE MODE D'EMPLOI.

⚠ MISE EN GARDE : NE VOUS LAISSEZ PAS tromper (au fil d'une utilisation répétée) par un sentiment d'aisance ou de familiarité avec le produit en négligeant les consignes de sécurité qui accompagnent le produit. L'utilisation non sécuritaire ou incorrecte de cet outil comporte un risque de blessure grave.

Symboles

Les symboles utilisés pour l'outil sont indiqués ci-dessous.



Veillez lire les étiquettes et le manuel, en vous assurant d'en avoir bien compris le contenu.



L'utilisateur et toute personne présente dans la zone de travail doivent porter des lunettes de sécurité avec protecteurs latéraux.



Pour éviter le déclenchement accidentel de l'outil, ne placez pas les doigts près de la gâchette lorsque vous n'êtes pas en train de clouer.

v

volts



courant continu

CONSIGNES DE SÉCURITÉ IMPORTANTES

POUR LA BATTERIE

1. **Avant d'utiliser la batterie, lisez toutes les instructions et précautions relatives (1) au chargeur de batterie, (2) à la batterie, et (3) à l'outil utilisant la batterie.**
2. **Ne démontez pas la batterie.**
3. **Cessez immédiatement l'utilisation si le temps de fonctionnement devient excessivement court. Il y a risque de surchauffe, de brûlures, voire d'explosion.**

4. Si l'électrolyte pénètre dans vos yeux, rincez-les à l'eau claire et consultez immédiatement un médecin. Il y a risque de perte de la vue.
5. Ne court-circuitez pas la batterie :
 - (1) Ne touchez les bornes avec aucun matériau conducteur.
 - (2) Évitez de ranger la batterie dans un conteneur avec d'autres objets métalliques, par exemple des clous, des pièces de monnaie, etc.
 - (3) Évitez d'exposer la batterie à l'eau ou à la pluie.

Un court-circuit de la batterie pourrait provoquer un fort courant, une surchauffe, parfois des brûlures et même une panne.

6. Ne rangez pas l'outil ou la batterie dans des endroits où la température risque d'atteindre ou de dépasser 50°C (122°F).
7. Ne jetez pas la batterie au feu même si elle est sérieusement endommagée ou complètement épuisée. La batterie peut exploser au contact du feu.
8. Prenez garde d'échapper ou de heurter la batterie.
9. N'utilisez pas une batterie si elle est endommagée.
10. Suivez la réglementation locale concernant la mise au rebut de la batterie.

CONSERVEZ CE MODE D'EMPLOI.

ATTENTION : Utilisez uniquement des batteries Makita d'origine.

L'utilisation de batteries autres que les batteries d'origine Makita ou de batteries qui ont été modifiées peut entraîner l'explosion de la batterie et provoquer des incendies, blessures et autres dommages. Cela annulerait également la garantie de Makita s'appliquant à l'outil Makita et au chargeur.

Conseils pour obtenir la durée de service maximale de la batterie

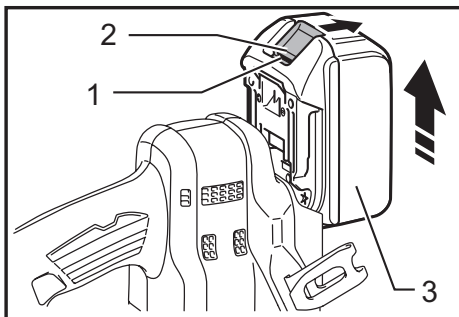
1. Rechargez la batterie avant qu'elle ne soit complètement déchargée.
Arrêtez toujours l'outil et rechargez la batterie quand vous remarquez que la puissance de l'outil diminue.
2. Ne rechargez jamais une batterie complètement chargée.
La surcharge réduit la durée de service de la batterie.
3. Rechargez la batterie à une température ambiante comprise entre 10°C et 40°C (50°F - 104°F). Si la batterie est chaude, laissez-la refroidir avant de la recharger.
4. Rechargez la batterie si vous ne l'utilisez pas pendant une période prolongée (plus de six mois).

DESCRIPTION DU FONCTIONNEMENT

ATTENTION :

- Assurez-vous toujours que l'outil est hors tension et que sa batterie est retirée avant de l'ajuster ou de vérifier son fonctionnement.

Installation ou retrait de la batterie



► 1. Indicateur rouge 2. Bouton 3. Batterie

ATTENTION :

- Mettez toujours l'appareil hors tension avant d'installer ou de retirer la batterie.
- **Tenez fermement l'outil et la batterie lors de l'installation ou du retrait de cette dernière.** Sinon, l'outil et la batterie pourraient vous glisser des mains, ce qui risque d'endommager l'outil et la batterie, ou encore de provoquer des blessures.

Pour retirer la batterie, faites-la glisser de l'outil tout en faisant glisser le bouton se trouvant à l'avant.

Pour installer la batterie, alignez sa languette sur la rainure pratiquée dans le boîtier, et glissez la batterie en place. Insérez-la à fond jusqu'à ce que vous entendiez un clic. Si vous pouvez voir l'indicateur rouge situé sur le dessus du bouton, la batterie n'est pas complètement verrouillée.

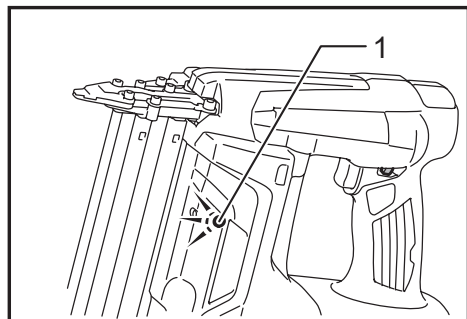
ATTENTION :

- Installez toujours la batterie à fond jusqu'à ce que vous ne puissiez plus voir l'indicateur rouge. Dans le cas contraire, elle pourrait tomber de l'outil et entraîner des blessures.
- Ne forcez pas sur la batterie pour l'installer. Si la batterie ne glisse pas facilement, c'est qu'elle n'est pas insérée correctement.

Système de protection de l'outil/de la batterie

L'outil est équipé d'un système de protection de l'outil/de la batterie. Ce système coupe automatiquement l'alimentation du moteur pour augmenter la durée de vie de l'outil et de la batterie.

L'outil s'arrête automatiquement pendant l'utilisation lorsque l'outil ou la batterie est dans l'une des situations suivantes. Dans certaines conditions, les indicateurs s'allument.



► 1. Indicateur de batterie

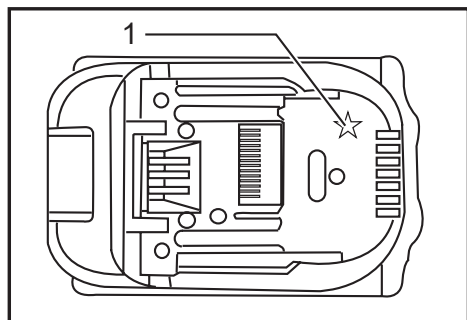
Protection contre la surchauffe de l'outil

Lorsque l'outil surchauffe, il s'arrête automatiquement et l'indicateur clignote pendant environ 60 secondes. Dans cette situation, laissez refroidir l'outil avant de l'allumer de nouveau.

Protection contre la surchauffe de la batterie

Lorsque la batterie surchauffe, l'outil s'arrête automatiquement et l'indicateur de la batterie s'allume pendant environ 60 secondes. L'outil ne démarre pas, même lorsque la gâchette est actionnée. Dans cette situation, laissez refroidir la batterie avant d'allumer de nouveau l'outil.

NOTE : La protection de surchauffe de la batterie fonctionne uniquement avec les batteries comportant un repère en forme d'étoile.



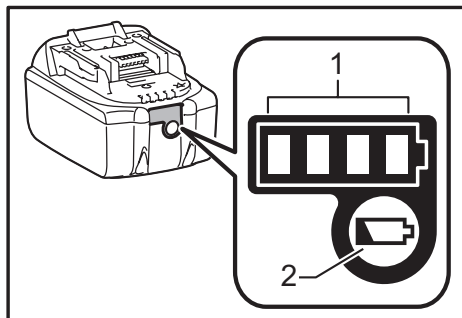
► 1. Étoile

Protection contre les décharges accélérées

Lorsque le niveau de batterie est bas, le témoin de batterie clignote. Si l'utilisation est poursuivie, l'outil s'arrête et l'indicateur s'allume pendant environ 60 secondes. Dans cette situation, rechargez la batterie.

Affiche la capacité restante de la batterie

(Uniquement pour les batteries dont le numéro de modèle se termine par « B ».)



► 1. Témoins 2. Bouton de vérification

Appuyez sur le bouton de vérification sur la batterie pour afficher la capacité résiduelle de la batterie. Les témoins s'allument pendant quelques secondes.

Témoins			Capacité résiduelle
Allumé	ARRÊT	Clignotement	
■	■	■	75 % à 100 %
■	■	□	50 % à 75 %
■	□	□	25 % à 50 %
■	□	□	0 % à 25 %
▣	□	□	Chargez la batterie.
■	■	□	La batterie peut avoir présenté un défaut de fonctionnement.
□	□	■	

NOTE :

- Selon les conditions d'utilisation et la température ambiante, il est possible que la capacité relevée soit légèrement différente par rapport à la capacité réelle.

Utilisation du verrou de la gâchette

⚠ ATTENTION :

- Lorsque l'outil n'est pas ou plus utilisé, verrouillez toujours la gâchette à l'aide du verrou de la gâchette.



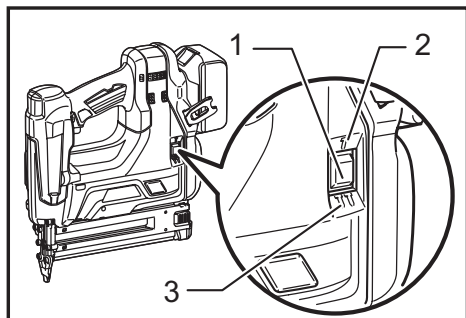
- 1. Verrou de la gâchette 2. Appuyez sur Lock verrouiller 3. Appuyez sur Free pour déverrouiller

L'outil dispose d'un verrou de gâchette qui permet d'éviter tout démarrage accidentel. La gâchette est bloquée par le verrou et l'outil ne peut pas démarrer.

Pour verrouiller la gâchette, réglez le bouton de verrouillage en position « LOCK » (verrouillé).

Avant de procéder au clouage, réglez le bouton de verrouillage sur la position « FREE » (déverrouillage). Lorsque l'outil n'est pas utilisé, réglez-le toujours sur la position « LOCK » et retirez la batterie de l'outil.

Sélection du mode de clouage



- 1. Bouton de sélection du mode 2. Mode séquentiel 3. Mode continu

L'outil dispose de deux modes de clouage différents. Sélectionnez le clouage souhaité à l'aide du bouton de sélection du mode. Pour plus d'informations, consultez la section « UTILISATION ».

Clouage intermittent (mode séquentiel)

Ce mode est adapté pour une pose soignée et précise d'un clou.

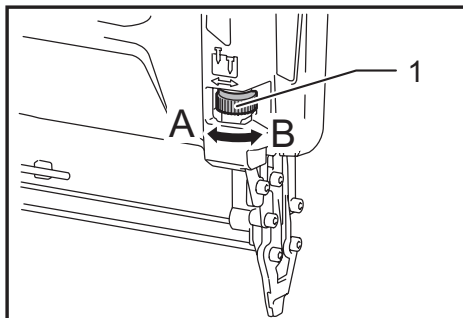
Clouage continu/intermittent (mode continu)

Lorsque l'outil est réglé en ce mode, il est possible de choisir le clouage continu ou intermittent en actionnant plusieurs fois la gâchette.

Ajustement de la profondeur de clouage

⚠ MISE EN GARDE :

- Assurez-vous toujours que vous n'avez pas le doigt sur la gâchette et que la batterie et les clous sont retirés.



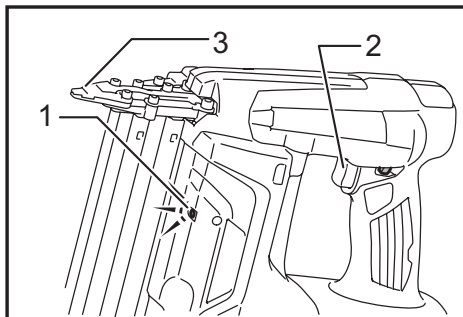
- 1. Dispositif de réglage

Pour réduire la profondeur, tournez le bouton d'ajustement vers A, comme sur l'illustration. Pour augmenter la profondeur, tournez le bouton d'ajustement vers B. Ne tournez pas trop le bouton d'ajustement car il pourrait se coincer.

Allumage de la lampe

⚠ ATTENTION :

- Evitez de regarder directement le faisceau lumineux ou sa source.



- 1. Lampe 2. Gâchette 3. Guide de fixation (élément de contact)

Pour allumer la lampe, actionnez la gâchette ou placez l'élément de contact contre la pièce. Relâchez la gâchette ou l'élément de contact pour l'éteindre.

La lampe s'éteint 10 secondes après avoir relâché la gâchette ou séparé l'élément de contact de la pièce.

NOTE :

- Utilisez un chiffon sec pour essuyer la saleté qui recouvre la lentille de la lampe. Prenez garde de rayer la lentille de la lampe, pour éviter une diminution de l'éclairage.
- Même si la lampe s'allume, il se peut que la cloueuse ne cloue pas si la batterie est faible. Dans ce cas, rechargez la batterie.

ASSEMBLAGE

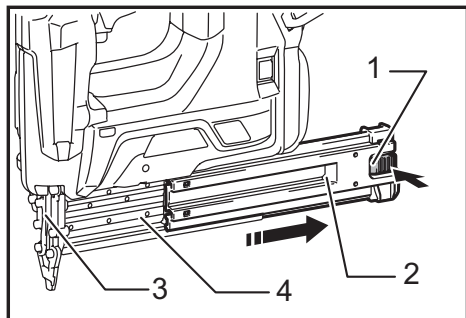
⚠ ATTENTION :

- Assurez-vous toujours que vos doigts ne sont pas placés sur la gâchette et que la batterie et les clous sont retirés avant d'effectuer un travail sur la cloueuse.

Chargement et déchargement des clous

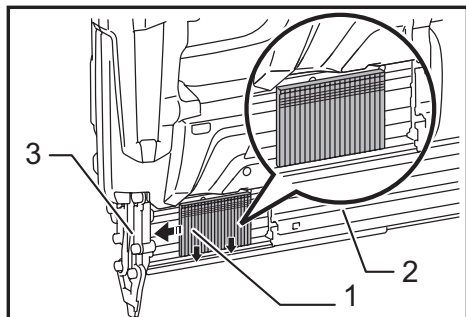
⚠ ATTENTION :

- Assurez-vous toujours que vous n'avez pas le doigt sur la gâchette et que la batterie est retirée avant de charger des clous.
- Ne fermez pas brusquement la porte coulissante de la cloueuse lorsque des clous sont chargés. Il y a risque de blessure si des clous tombent du magasin par accident, spécialement lorsque vous travaillez dans un emplacement élevé.
- Chargez les clous dans le bon sens. Le chargement dans le mauvais sens risquerait de causer l'usure rapide du mécanisme d'entraînement et d'endommager d'autres pièces.
- N'utilisez pas les clous déformés. Utilisez les clous spécifiés dans ce manuel. L'utilisation de clous autres que ceux spécifiés peut causer des blocages et endommager la cloueuse.



- 1. Levier de verrouillage 2. Porte coulissante
3. Guide d'entraînement 4. Magasin

Actionnez le levier de verrouillage et ouvrez la porte coulissante du magasin.



- 1. Clous 2. Porte coulissante 3. Guide d'entraînement

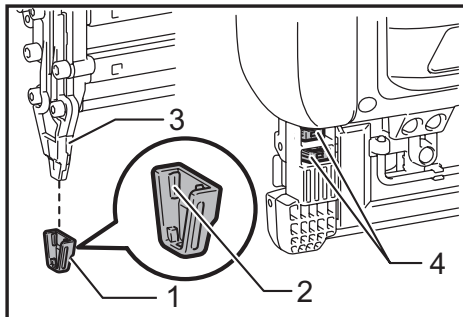
Réglez la bande de clous de sorte que l'extrémité des clous touche le fond de la fente du magasin et faites-la glisser vers l'ouverture de clouage.

Remplacez la porte coulissante à sa position originale jusqu'à ce que le levier de verrouillage la bloque. Pour retirer les clous, appuyez sur le levier de verrouillage et faites glisser la porte coulissante. Retirez les clous de la fente du magasin.

Adaptateur de bec

⚠ ATTENTION :

- Assurez-vous toujours que vous n'avez pas le doigt sur la gâchette et que la batterie et les clous sont retirés avant d'installer l'adaptateur de bec.



- 1. Adaptateur de bec 2. Saillie 3. Plaque centrale
4. Support

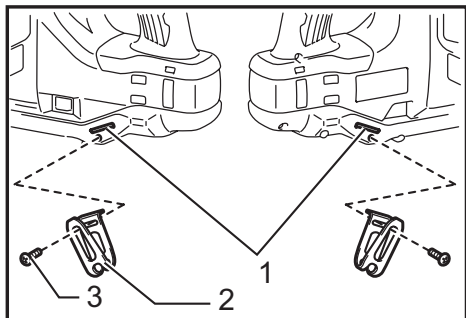
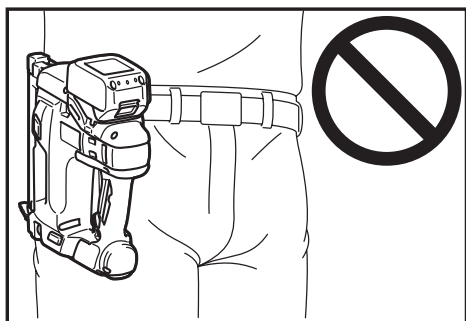
Pour clouer sur un matériau dont la surface est facile à abîmer, utilisez l'adaptateur de bec. Pour installer l'adaptateur de bec, posez-le sur la plaque centrale de sorte que la partie saillante, à l'intérieur de l'adaptateur de bec, pénètre dans la fente du couvercle du guide de fixation.

Après l'utilisation du bec adaptateur, rangez-le dans le porte-bec à l'arrière de la porte coulissante pour éviter de le perdre. Il est possible de stocker deux adaptateurs de bec.

Crochet

⚠ ATTENTION :

- Assurez-vous toujours que vous n'avez pas le doigt sur la gâchette et que la batterie et les clous sont retirés avant d'utiliser le crochet.
- Ne laissez pas pendre le crochet à la ceinture. Si vous échappez la cloueuse, ce qui pourrait se produire si le crochet se déplace accidentellement, cela pourrait causer un déclenchement involontaire provoquant des blessures.

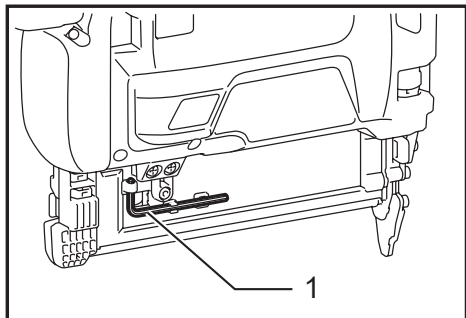


► 1. Rainure 2. Crochet 3. Vis

L'outil est équipé d'un crochet pratique qui permet de le suspendre temporairement. Il s'installe d'un côté comme de l'autre de l'outil.

Pour installer le crochet, insérez-le dans les rainures situées de chaque côté du carter de l'outil, puis serrez-le avec une vis. Pour le retirer, desserrez la vis et enlevez-la.

Rangement de la clé hexagonale



► 1. Clé hexagonale

Lorsque vous n'utilisez pas la clé hexagonale, rangez-la de la façon indiquée sur l'illustration pour éviter de l'égarer.

UTILISATION

Contrôle du fonctionnement de la gâchette

⚠ ATTENTION :

- Assurez-vous que la gâchette fonctionne correctement avant chaque utilisation. Si vous rencontrez des problèmes décrits ci-dessous, contactez le service après-vente autorisé de Makita.
- Avant d'installer la batterie dans l'outil, vérifiez toujours si la gâchette fonctionne correctement et si elle revient en position « OFF » quand vous la relâchez.

L'outil ne doit fonctionner que lorsque la gâchette est actionnée ou lorsque l'élément de contact est placé sur la pièce.

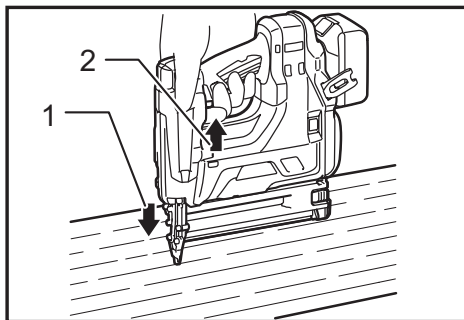
Pose de clous

⚠ ATTENTION :

- Assurez-vous toujours de placer l'élément de contact contre la pièce avant d'actionner la gâchette.

Sélectionnez le mode de clouage en appuyant sur le bouton de sélection du mode, comme indiqué dans la section « Sélection du mode de clouage ».

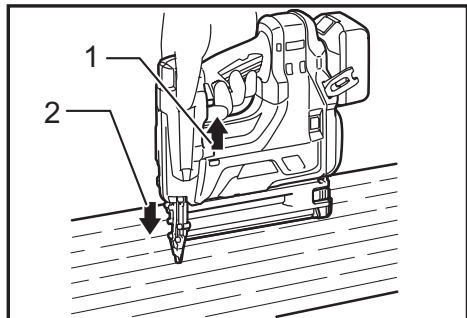
Clouage intermittent (mode séquentiel)



- 1. Appuyez l'élément de contact contre la pièce.
2. Tirez la gâchette

Pour poser un clou, réglez le bouton de verrouillage sur la position « FREE ». Placez l'élément de contact contre la pièce, puis appuyez sur la gâchette. Relâchez la gâchette après chaque opération.

Clouage continu/intermittent (mode continu)



- 1. Tirez la gâchette 2. Appuyez l'élément de contact contre la pièce.

Lorsque l'outil est réglé en mode continu, vous pouvez effectuer un clouage continu ou intermittent.

Pour poser un clou, réglez le bouton de verrouillage sur la position « FREE ».

- Pour un clouage continu, actionnez tout d'abord la gâchette, puis placez l'élément de contact contre la pièce. Pour l'action suivante, il n'est pas nécessaire de relâcher la gâchette.
- Pour le clouage intermittent, placez l'élément de contact contre la pièce puis appuyez sur la gâchette. Pour l'action suivante, il est nécessaire de commencer par réinitialiser la gâchette.

NOTE :

- Cet outil s'arrête automatiquement dans les conditions suivantes :
 - Si vous relâchez la gâchette ou si vous détachez l'élément de contact de la pièce alors que l'outil n'a pas terminé son opération. Dans cette situation, actionnez de nouveau la gâchette jusqu'à ce que l'outil passe en veille.
 - Lorsque la gâchette est actionnée ou que l'élément de contact est en place depuis environ 5 secondes sans aucune autre action. Dans cette situation, relâchez la gâchette ou détachez l'élément de contact de la pièce pour redémarrer l'opération.

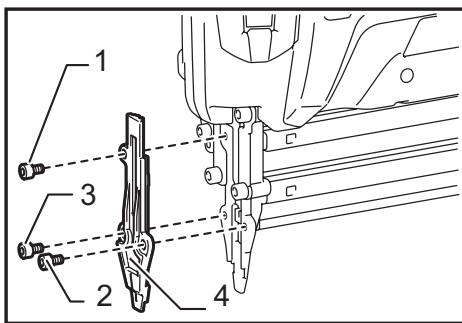
Mécanisme de prévention d'activation à vide

Cet outil est équipé d'un mécanisme de prévention d'activation à vide. Il arrête immédiatement le clouage lorsqu'il n'y a plus de clous. Dans cette situation, chargez plus de clous pour reprendre le travail.

Retirer des clous bloqués

⚠ MISE EN GARDE :

- Avant de retirer les clous coincés, assurez-vous toujours que la gâchette est relâchée et que la batterie et les clous sont retirés avant de retirer des clous bloqués.



- 1. Boulon hexagonal A 2. Boulon hexagonal B
3. Boulon hexagonal C 4. Couvercle du guide d'entraînement

À l'aide d'une clé hexagonale, retirez les boulons hexagonaux qui fixent le couvercle du guide de fixation. Retirez les clous bloqués de la rainure visible du guide-clou.

Installez solidement la protection du guide de fixation avec les boulons hexagonaux dans l'ordre indiqué. Serrez le boulon hexagonal A, puis B et enfin C.

NOTE :

- Après avoir installé solidement la protection du guide de fixation, assurez-vous qu'elle fonctionne correctement. Si tel n'est pas le cas, retirez les boulons hexagonaux et installez de nouveau la protection du guide de fixation.

Clous

Manipulez les clous et leur boîte avec soin. Si les clous n'ont pas été manipulés avec soin, ils peuvent être déformés ou leur connecteur peut être brisé, ce qui peut entraîner une mauvaise alimentation des clous. Évitez de ranger les clous dans un endroit très humide ou chaud, ou dans un endroit exposé directement aux rayons du soleil.

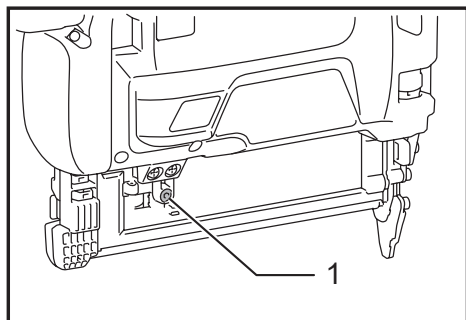
ENTRETIEN

⚠ ATTENTION :

- Assurez-vous toujours que l'outil est hors tension et que la batterie et les clous sont retirés avant d'inspecter l'appareil ou d'effectuer une opération d'entretien.
- N'utilisez jamais d'essence, de benzine, de solvant, d'alcool ou d'autres produits similaires. Une décoloration, une déformation, ou la formation de fissures peuvent en découler.

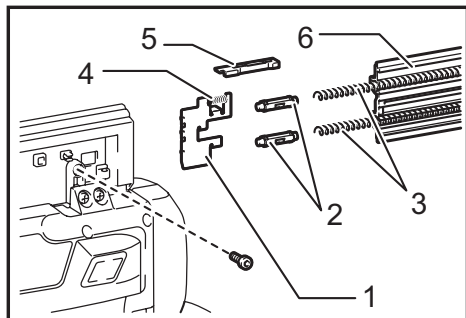
Nettoyage du magasin

Lorsque le poussoir du magasin ne se déplace pas aisément en présence de poussière, de sable, de copeaux ou d'autres éléments étrangers, nettoyez le magasin.



► 1. Boulon hexagonal

Pour retirer la porte coulissante, desserrez le boulon hexagonal du magasin.



► 1. Poussoir 2. Manchon 3. Ressort (grand)
4. Ressort (petit) 5. Butoir 6. Porte coulissante

Tirez le poussoir de la porte coulissante, puis retirez la butée, les manchons et les ressorts.

Après le nettoyage, installez tous les éléments sur la porte coulissante. Pour les installer, suivez la procédure suivante.

1. Installez le grand ressort sur la porte coulissante.
2. Installez les éléments sur le poussoir dans le bon ordre, le manchon, le petit ressort puis la butée.
3. Installez le poussoir avec les autres éléments sur la porte coulissante.

NOTE :

- Lorsque le poussoir est tiré hors de la porte coulissante, les éléments de cette dernière peuvent être éjectés.
- Lors de l'installation du poussoir et des autres éléments sur la porte coulissante, laissez un peu d'espace entre le poussoir et les manchons.

Pour maintenir la **SÉCURITÉ** et la **FIABILITÉ** du produit, les réparations, tout autre travail d'entretien ou de réglage doivent être effectués dans un centre de service Makita agréé ou un centre de service de l'usine Makita, exclusivement avec des pièces de rechange Makita.

ACCESSOIRES EN OPTION

⚠ ATTENTION :

- Ces accessoires ou pièces complémentaires sont recommandés pour l'utilisation avec l'outil Makita spécifié dans ce mode d'emploi. L'utilisation de tout autre accessoire ou pièce complémentaire peut comporter un risque de blessure. N'utilisez les accessoires ou pièces qu'aux fins auxquelles ils ont été conçus.

Si vous désirez obtenir plus de détails concernant ces accessoires, veuillez contacter le centre de service après-vente Makita le plus près.

- Clous
- Chargeur et batterie authentiques Makita

NOTE :

- Certains éléments de la liste peuvent être inclus avec l'outil comme accessoires standard. Ils peuvent varier suivant les pays.

GARANTIE LIMITÉE MAKITA

Pour les conditions de garantie en vigueur qui s'appliquent à ce produit, veuillez vous reporter à la feuille de garantie en annexe. Si la feuille de garantie en annexe n'est pas disponible, reportez-vous aux détails de la garantie présentés sur le site Web de votre pays, ci-dessous.

États-Unis d'Amérique: www.makitatools.com

Canada: www.makita.ca

Autres pays: www.makita.com

ESPECIFICACIONES

Modelo	DBN500	
Tamaño del clavo	18 Ga x 15, 20, 25, 30, 32, 35, 38, 40, 45, 50 mm (18 Ga x 5/8", 3/4", 1", 1-3/16", 1-1/4", 1-3/8", 1-1/2", 1-5/8", 1-3/4", 2")	
Capacidad del cartucho de clavos	100 pzs	
Dimensiones (La x An x Al)	294 mm x 97 mm x 318 mm (11-5/8" x 3-13/16" x 12-1/2")	
Tensión nominal	18 V c.c.	
Peso neto	3,2 kg (7,1 lbs)	3,5 kg (7,7 lbs)
Cartuchos de batería estándar	BL1815N / BL1820B	BL1830 / BL1830B / BL1840B / BL1850B / BL1860B

- Debido a nuestro programa continuo de investigación y desarrollo, las especificaciones aquí dadas están sujetas a cambios sin previo aviso.
- Las especificaciones y el cartucho de la batería pueden variar de país a país.
- Peso de acuerdo al procedimiento de EPTA-01/2003 incluyendo el cartucho de la batería

Advertencias de seguridad generales para herramientas eléctricas

⚠ADVERTENCIA: lea todas las advertencias de seguridad e instrucciones. Si no sigue todas las advertencias e instrucciones indicadas a continuación, podrá ocasionar una descarga eléctrica, un incendio y/o lesiones graves.

Guarde todas las advertencias e instrucciones para su futura referencia.

El término "herramienta eléctrica" se refiere, en todas las advertencias que aparecen a continuación, a su herramienta eléctrica de funcionamiento con conexión a la red eléctrica (con cableado eléctrico) o herramienta eléctrica de funcionamiento a batería (inalámbrica).

Seguridad en el área de trabajo

1. **Mantenga el área de trabajo limpia y bien iluminada.** Las áreas oscuras o desordenadas son propensas a accidentes.
2. **No utilice las herramientas eléctricas en atmósferas explosivas, tal como en la presencia de líquidos, gases o polvo inflamables.** Las herramientas eléctricas crean chispas que pueden prender fuego al polvo o los humos.
3. **Mantenga a los niños y curiosos alejados mientras utiliza una herramienta eléctrica.** Las distracciones le pueden hacer perder el control.

Seguridad eléctrica

4. **Las clavijas de conexión de las herramientas eléctricas deberán encajar perfectamente en la toma de corriente. No modifique nunca la clavija de conexión de ninguna forma. No utilice ninguna clavija adaptadora con herramientas eléctricas que tengan conexión a tierra (puesta a tierra).** La utilización de clavijas no modificadas y que encajen perfectamente en la toma de corriente reducirá el riesgo de que se produzca una descarga eléctrica.

5. **Evite tocar con el cuerpo superficies conectadas a tierra o puestas a tierra tales como tubos, radiadores, cocinas y refrigeradores.** Si su cuerpo es puesto a tierra o conectado a tierra existirá un mayor riesgo de que sufra una descarga eléctrica.
6. **No exponga las herramientas eléctricas a la lluvia ni a condiciones húmedas.** La entrada de agua en una herramienta eléctrica aumentará el riesgo de que se produzca una descarga eléctrica.
7. **No jale el cable. Nunca utilice el cable para transportar, jalar o desconectar la herramienta eléctrica. Mantenga el cable alejado del calor, aceite, objetos cortantes o piezas móviles.** Los cables dañados o atrapados aumentan el riesgo de sufrir una descarga eléctrica.
8. **Cuando utilice una herramienta eléctrica en exteriores, utilice un cable de extensión apropiado para uso en exteriores.** La utilización de un cable apropiado para uso en exteriores reducirá el riesgo de que se produzca una descarga eléctrica.
9. **Si no es posible evitar usar una herramienta eléctrica en condiciones húmedas, utilice un alimentador protegido con interruptor de circuito de falla en tierra (ICFT).** El uso de un ICFT reduce el riesgo de descarga eléctrica.

Seguridad personal

10. **Manténgase alerta, preste atención a lo que está haciendo y utilice su sentido común cuando opere una herramienta eléctrica. No utilice la herramienta eléctrica cuando esté cansado o bajo la influencia de drogas, alcohol o medicamentos.** Un momento de distracción mientras opera la máquina puede dar como resultado heridas personales graves.
11. **Use equipo de protección personal. Póngase siempre protección para los ojos.** El equipo protector tal como máscara contra el polvo, zapatos de seguridad antiderrapantes, casco rígido y protección para oídos utilizado en las condiciones apropiadas reducirá las heridas personales.

12. **Impida el encendido accidental. Asegúrese de que el interruptor esté en la posición de apagado antes de conectar a la alimentación eléctrica y/o de colocar el cartucho de la batería, así como al levantar o cargar la herramienta.** Cargar las herramientas eléctricas con su dedo en el interruptor o enchufarlas con el interruptor encendido hace que los accidentes sean propensos.
13. **Retire cualquier llave de ajuste o llave de apriete antes de encender la herramienta.** Una llave de ajuste o llave de apriete que haya sido dejada puesta en una parte giratoria de la herramienta eléctrica podrá resultar en heridas personales.
14. **No utilice la herramienta donde no alcance. Mantenga los pies sobre suelo firme y el equilibrio en todo momento.** Esto permite un mejor control de la herramienta eléctrica en situaciones inesperadas.
15. **Use vestimenta apropiada. No use ropas sueltas ni joyas. Mantenga el cabello, la ropa y los guantes alejados de las piezas móviles.** Las prendas de vestir holgadas, las joyas y el cabello suelto podrían engancharse en estas piezas móviles.
16. **Si dispone de dispositivos para la conexión de equipos de extracción y recolección de polvo, asegúrese de conectarlos y utilizarlos debidamente.** La utilización de estos dispositivos reduce los riesgos relacionados con el polvo.

Mantenimiento y uso de la herramienta eléctrica

17. **No fuerce la herramienta eléctrica. Utilice la herramienta eléctrica correcta para su aplicación.** La herramienta eléctrica adecuada hará un trabajo mejor a la velocidad para la que ha sido fabricada.
18. **No utilice la herramienta eléctrica si el interruptor no la enciende y apaga.** Cualquier herramienta eléctrica que no pueda ser controlada con el interruptor es peligrosa y debe ser reemplazada.
19. **Desconecte la clavija de la fuente de energía y/o la batería de la herramienta eléctrica antes de realizar ajustes, cambiar accesorios o guardar las herramientas eléctricas.** Dichas medidas de seguridad preventivas reducen el riesgo de que la herramienta se inicie accidentalmente.
20. **Guarde la herramienta eléctrica que no use fuera del alcance de los niños y no permita que las personas que no están familiarizadas con ella o con las instrucciones la operen.** Las herramientas eléctricas son peligrosas en manos de personas que no saben operarlas.
21. **Realice el mantenimiento a las herramientas eléctricas. Compruebe que no haya partes móviles desalineadas o estancadas, piezas rotas y cualquier otra condición que pueda afectar al funcionamiento de la herramienta eléctrica. Si la herramienta eléctrica está dañada, haga que se la reparen antes de utilizarla.** Muchos accidentes son ocasionados por herramientas eléctricas con un mal mantenimiento.
22. **Mantenga las herramientas de corte limpias y filosas.** Si recibe un mantenimiento adecuado y tiene los bordes afilados, es probable que la herramienta se atasque menos y sea más fácil controlarla.

23. **Utilice la herramienta eléctrica, así como accesorios, piezas, brocas, etc. de acuerdo con estas instrucciones y de la manera establecida para cada tipo de unidad en particular; tenga en cuenta las condiciones laborales y el trabajo a realizar.** Si utiliza la herramienta eléctrica para realizar operaciones distintas de las indicadas, podrá presentarse una situación peligrosa.

Uso y cuidado de la herramienta a batería

24. **Realice la recarga sólo con el cargador especificado por el fabricante.** Un cargador que es adecuado para un solo tipo de batería puede generar riesgo de incendio al ser utilizado con otra batería.
25. **Utilice las herramientas eléctricas solamente con las baterías designadas específicamente para ellas.** La utilización de cualquier otra batería puede crear un riesgo de heridas o incendio.
26. **Cuando no se esté usando el cartucho de la batería, manténgalo alejado de otros objetos metálicos, como sujetapapeles (clips), monedas, llaves, clavos, tornillos u otros objetos pequeños de metal los cuales pueden actuar creando una conexión entre las terminales de la batería.** Cerrar el circuito de las terminales de la batería puede causar quemaduras o incendios.
27. **En condiciones abusivas, podrá escapar líquido de la batería; evite tocarlo. Si lo toca accidentalmente, enjuague con agua. Si hay contacto del líquido con los ojos, acuda por ayuda médica.** Puede que el líquido expulsado de la batería cause irritación o quemaduras.

Servicio de mantenimiento

28. **Haga que una persona calificada repare la herramienta utilizando sólo piezas de repuesto idénticas.** Esto asegura que se mantenga la seguridad de la herramienta eléctrica.
29. **Siga las instrucciones para la lubricación y cambio de accesorios.**
30. **Mantenga las agarraderas secas, limpias y sin aceite o grasa.**

ADVERTENCIAS DE SEGURIDAD PARA LA CLAVADORA A BATERÍA

1. **Siempre asuma que la herramienta contiene broches.** El manejo descuidado de la clavadora puede resultar en un disparo accidental de los brochas causando lesiones personales.
2. **No apunte la herramienta hacia sí mismo ni a nadie que esté cerca.** Apretar el gatillo accidentalmente descargará el broche causando una lesión.
3. **No active la herramienta a menos que esté colocada firmemente contra la pieza de trabajo.** Si la herramienta no está haciendo contacto con la pieza de trabajo, puede que el broche se desvíe de su objetivo.
4. **Desconecte la herramienta de la fuente de alimentación eléctrica cuando algún broche se trabe en la herramienta.** Al extraer algún broche que se haya trabado, puede que la clavadora se dispare accidentalmente si se encuentra conectada.

5. **Tenga precaución al retirar un broche atascado.** Puede que el mecanismo esté bajo compresión y que el broche requiera descargarse a fuerza mientras se intenta librarlo del atascamiento.
6. **No use esta clavadora para la sujeción de cables eléctricos.** No está diseñada para la instalación de cableado eléctrico y puede que dañe el aislamiento de los cables, por lo que podría generar descargas eléctricas o peligros de incendio.
7. **Siempre use gafas de seguridad con protección lateral, y una careta de protección completa cuando sea necesario.**
8. **Mantenga las manos y los pies alejados del área del puerto de expulsión.**
9. **Siga las instrucciones para la lubricación y cambio de accesorios.**
10. **Siempre retire el cartucho de la batería antes de resumistrar broches, hacer ajustes, inspecciones, mantenimiento, o tras haber finalizado la operación.**
11. **Asegúrese que nadie está cerca antes de la operación. Nunca intente la colocación de broches al mismo tiempo tanto de la parte interior como de la parte exterior de la pared. Los broches podrían desgarrarse y/o salir volando, lo cual representa un serio peligro.**
12. **Esté atento de pisar suelo firme y de mantener el equilibrio con la herramienta. Asegúrese de que no haya nadie debajo al estar trabajando sobre lugares elevados.**
13. **Nunca utilice herramientas de clavado de broches marcados con el símbolo “No usar en andamios, escaleras” para aplicaciones específicas, por ejemplo:**
 - cambiar una ubicación de clavado a otra implica el uso de andamios, peldaños, escaleras o construcciones similares a una escalera, por ejemplo listones para techo;
 - cerrar cajas o jaulas;
 - instalar sistemas de seguridad de transporte, por ejemplo en vehículos y vagones.
14. **Revise paredes, techos, tejados, pisos y similares con atención para evitar una descarga eléctrica accidental, así como una fuga de gas, explosiones, etc. que sean debido al haber engrapado en cables con corriente, tubos o ductos de gas.**
15. **Use solamente las broches que se especifican en este manual. El uso de cualquier otro broche puede provocar un funcionamiento inapropiado de la herramienta.**
16. **No fuerce la herramienta ni pretenda usarla para otro propósito que no sea la inserción de broches.**
17. **No haga funcionar la herramienta sin broches. Esto acorta el tiempo de vida útil de la herramienta.**
18. **Detenga la operación de clavado de inmediato si nota algo mal o fuera de lo común con la herramienta.**
19. **Nunca coloque broches en materiales que puedan ser traspasados y que éstos puedan salir disparados como un proyectil.**
20. **Nunca active el gatillo interruptor y la palanca de seguridad al mismo tiempo hasta que esté preparado para la inserción de broches sobre las piezas de trabajo. Deje que la pieza de trabajo presione la palanca de seguridad. Nunca anule su propósito al fijar la palanca de seguridad hacia atrás, o al estarla oprimiendo con su mano.**
21. **Nunca fuerce la palanca de seguridad. Verifique con frecuencia la operación adecuada de la palanca de seguridad.**
22. **Siempre retire los broches de la herramienta cuando no se vaya a usar.**

GUARDE ESTAS INSTRUCCIONES.

⚠ADVERTENCIA: NO DEJE que la comodidad o familiaridad con el producto (a base de utilizarlo repetidamente) sustituya la estricta observancia de las normas de seguridad para dicho producto. **EL MAL USO** o el no seguir las normas de seguridad establecidas en este manual de instrucciones puede ocasionar graves lesiones personales.

Símbolos

A continuación se muestran los símbolos utilizados para la herramienta.



Lea y entienda el manual y las etiquetas de la herramienta.



Los operarios y demás personas que se encuentran en el área de trabajo deben usar gafas de seguridad con protección lateral.



Mantenga los dedos alejados del gatillo cuando no esté clavando las grapas a fin de evitar un disparo accidental.

v

volts o voltios



corriente directa o continua

INSTRUCCIONES IMPORTANTES DE SEGURIDAD

PARA CARTUCHO DE BATERÍA

1. **Antes de utilizar el cartucho de batería, lea todas las instrucciones e indicaciones de precaución sobre (1) el cargador de baterías, (2) la batería, y (3) el producto con el que se utiliza la batería.**
2. **No desarme el cartucho de batería.**
3. **Si el tiempo de operación se ha acortado en exceso, deje de operar de inmediato. Podría correrse el riesgo de sobrecalentamiento, posibles quemaduras e incluso explosión.**
4. **En caso de que ingresen electrolitos en sus ojos, enjuáguelos bien con agua limpia y consulte de inmediato a un médico. Podría perder la visión.**

5. **No cortocircuite el cartucho de batería:**
 - (1) **No toque las terminales con ningún material conductor.**
 - (2) **Evite guardar el cartucho de batería en un cajón junto con otros objetos metálicos, tales como clavos, monedas, etc.**
 - (3) **No exponga la batería de cartucho a la lluvia o nieve.**

Un corto circuito en la batería puede causar un flujo grande de corriente, sobrecalentamiento, posibles quemaduras y aún descomposturas.

6. **No guarde la herramienta ni el cartucho de batería en lugares donde la temperatura pueda alcanzar o exceder los 50°C (122°F).**
7. **Nunca incinere el cartucho de batería incluso en el caso de que esté dañado seriamente o ya no sirva en absoluto. El cartucho de batería puede explotar si se tira al fuego.**
8. **Tenga cuidado de no dejar caer ni golpear el cartucho de batería.**
9. **No use una batería dañada.**
10. **Siga las regulaciones locales relacionadas al desecho de las baterías.**

GUARDE ESTAS INSTRUCCIONES.

⚠PRECAUCIÓN: Use solo baterías auténticas de Makita.

El uso de baterías no auténticas de Makita, o baterías que hayan sido alteradas, puede que resulte en la explosión de la batería, originando un incendio, así como lesiones al usuario y daños. También anulará la garantía de Makita para la herramienta y el cargador Makita.

Consejos para alargar al máximo la vida útil de la batería

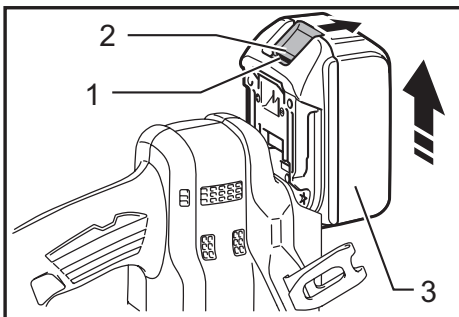
1. **Cargue el cartucho de batería antes de que se descargue completamente. Pare siempre la operación y cargue el cartucho de batería cuando note menos potencia en la herramienta.**
2. **No cargue nunca un cartucho de batería que esté completamente cargado. La sobrecarga acortará la vida de servicio de la batería.**
3. **Cargue el cartucho de batería a temperatura ambiente de 10°C - 40°C (50°F - 104°F). Si un cartucho de batería está caliente, déjelo enfriar antes de cargarlo.**
4. **Cargue el cartucho de batería si no lo ha usado por un largo período (más de seis meses).**

DESCRIPCIÓN DEL FUNCIONAMIENTO

⚠PRECAUCIÓN:

- Asegúrese siempre de que la herramienta esté apagada y el cartucho de batería extraído antes de realizar cualquier ajuste o comprobación en la herramienta.

Instalación o desmontaje del cartucho de batería



- 1. Indicador rojo 2. Botón 3. Cartucho de batería

⚠PRECAUCIÓN:

- Apague siempre la herramienta antes de colocar o quitar el cartucho de batería.
- **Sujete la herramienta y el cartucho de la batería con firmeza al colocar o quitar el cartucho.** Si no se sujeta con firmeza la herramienta y el cartucho de la batería, puede ocasionar que se resbalen de sus manos resultando en daños a la herramienta y al cartucho, así como lesiones a la persona.

Para quitar el cartucho de batería, deslícelo de la herramienta mientras desliza el botón sobre la parte delantera del cartucho.

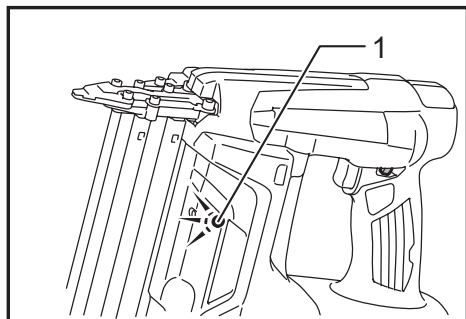
Para colocar el cartucho de batería, alinee la lengüeta sobre el cartucho de batería con la ranura en la carcasa y deslice en su lugar. Inserte por completo hasta que se fije en su lugar con un pequeño clic. Si puede ver el indicador rojo del lado superior del botón, esto indica que no ha quedado fijo por completo.

⚠PRECAUCIÓN:

- Introduzca siempre completamente el cartucho de batería hasta que el indicador rojo no pueda verse. Si no, podría accidentalmente salirse de la herramienta y caer al suelo causando una lesión a usted o alguien a su alrededor.
- No instale el cartucho de batería a la fuerza: si el cartucho no se desliza al interior fácilmente, se debe a que no está siendo insertado correctamente.

Sistema de protección de la herramienta / batería

La herramienta está equipada con un sistema de protección de la herramienta / batería. Este sistema corta en forma automática el suministro de energía al motor para prolongar la vida útil de la herramienta y batería. La herramienta se detendrá automáticamente durante el funcionamiento si la herramienta o la batería se someten a una de las siguientes condiciones: En algunas condiciones, las luces indicadoras se encienden.



► 1. Indicador de batería

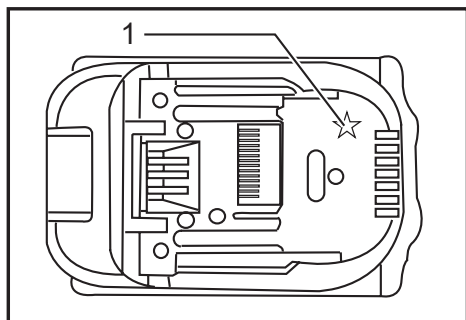
Protección contra el sobrecalentamiento de la herramienta

Cuando la herramienta se sobrecalienta, esta se detiene automáticamente y el indicador parpadea alrededor de 60 segundos. En este caso, deje que la herramienta se enfríe antes de volver a encenderla.

Protección contra el sobrecalentamiento de la batería

Cuando la batería se sobrecalienta, la herramienta se detiene automáticamente y el indicador de batería se enciende aproximadamente 60 segundos. La herramienta no enciende incluso si se tira del gatillo interruptor. En este caso, deje que la batería se enfríe antes de volver a encender la herramienta.

NOTA: La protección contra el sobrecalentamiento de la batería funciona solamente con un cartucho de batería el cual presente una marca de estrella.



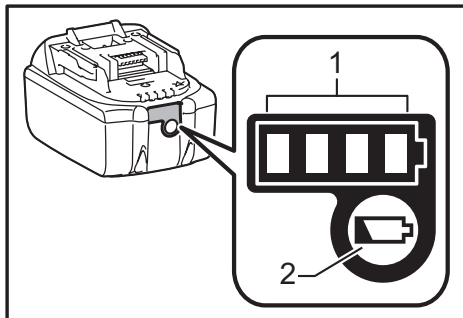
► 1. Marca de estrella

Protección contra la sobrecarga

Cuando la capacidad restante de la batería baja, el indicador parpadea. Con el uso continuo, la herramienta se detiene y el indicador se enciende alrededor de 60 segundos. En este caso, recargue el cartucho de batería.

Indicación de la capacidad restante de la batería

(Solo para cartuchos de batería con una "B" al final del número de modelo.)



► 1. Luces indicadoras 2. Botón de verificación

Presione el botón de comprobación en el cartucho de la batería para indicar la capacidad restante de la batería. La luz indicadora se enciende por algunos segundos.

Luces indicadoras			Capacidad restante
Encendido	APAGADO	Intermitencia	
■	□	▧	75% a 100%
■	■	■	
■	■	□	50% a 75%
■	□	□	25% a 50%
■	□	□	0% a 25%
▧	□	□	Recargue la batería.
■	□	□	Puede que haya un defecto en el funcionamiento de la batería.
□	□	■	

NOTA:

- Dependiendo de las condiciones de uso y de la temperatura ambiental, puede que el nivel indicado difiera ligeramente de la capacidad real de la batería.

Uso del bloqueo de gatillo

⚠ PRECAUCIÓN:

- Cuando no se use o después de operar la herramienta, bloquee siempre el gatillo con el bloqueo de gatillo.



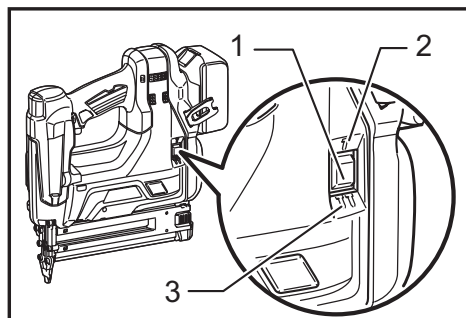
- 1. Seguro del gatillo 2. Presione hasta la posición Lock (Bloqueo) 3. Presione hasta la posición Free (Libre)

La herramienta tiene un bloqueo de gatillo para evitar accidentes por un encendido accidental. El bloqueo de gatillo no permite que el gatillo se mueva y no permite que la herramienta se accione.

Para bloquear el gatillo, ponga el botón de bloqueo en la posición "LOCK" (Bloqueo).

Antes de clavar, ponga el botón de bloqueo en la posición "FREE" (Libre). Cuando no lo use, póngalo siempre en la posición "LOCK" (Bloqueo) y extraiga el cartucho de batería de la herramienta.

Selección del modo de clavado



- 1. Botón de selección de modo 2. Modo secuencial 3. Modo continuo

La herramienta tiene dos modos de clavado diferentes. Seleccione el clavado que desea con el botón de selección de modo. Para obtener más información, consulte la sección "OPERACIÓN".

Clavado intermitente (modo secuencial)

Este modo es adecuado para clavar un clavo de manera cuidadosa y precisa.

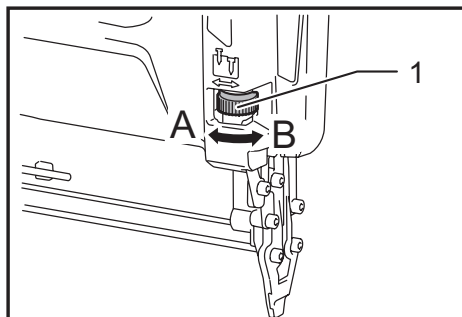
Clavado continuo/intermitente (modo continuo)

Cuando la herramienta se establece en este modo, puede seleccionar el clavado continuo o intermitente mediante secuencias de la operación del gatillo.

Ajuste de la profundidad del clavado

⚠ ADVERTENCIA:

- Asegúrese siempre de que sus dedos no estén sobre el gatillo, y que se hayan extraído el cartucho de batería y los clavos.



- 1. Ajustador

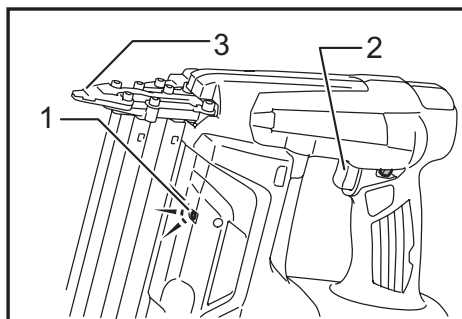
Para lograr una profundidad más superficial, gire el ajustador a una dirección A, como se muestra en la figura. Para lograr una profundidad mayor, gire el ajustador a la dirección B.

No gire el ajustador demasiado, pues podría trabarse.

Encendido de la luz indicadora

⚠ PRECAUCIÓN:

- No mire a la luz ni vea la fuente de luz directamente.



- 1. Lámpara 2. Gatillo 3. Guía de clavado (elemento de contacto)

Para encender la luz, tire del gatillo o ponga el elemento de contacto contra la pieza de trabajo. Libere el gatillo o el elemento de contacto para apagarlo. La luz se apaga 10 segundos después de liberar el gatillo o el elemento de contacto de la pieza de trabajo.

NOTA:

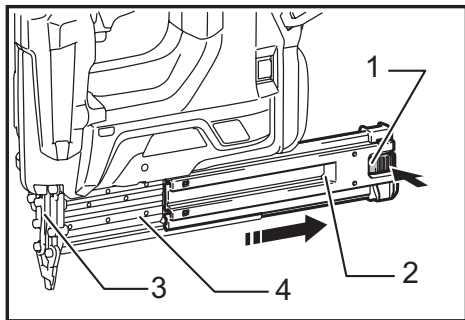
- Utilice un paño seco para quitar la suciedad de la lente de la lámpara. Tenga cuidado de no rayar la lente de la lámpara, porque podrá disminuir la iluminación.
- Aunque la luz está encendida cuando la energía residual de la batería es poca, la clavadora no puede clavar clavos. En este caso, cargue el cartucho de la batería.

ENSAMBLE**⚠PRECAUCIÓN:**

- Asegúrese siempre de que los dedos no se ubiquen en el gatillo, y que se extraigan el cartucho de batería y los clavos antes de realizar cualquier trabajo en la clavadora.

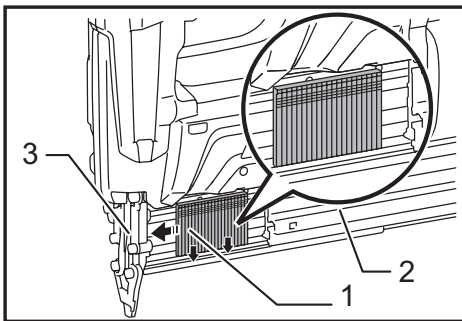
Carga y descarga de los clavos**⚠PRECAUCIÓN:**

- Asegúrese siempre de que los dedos no se encuentren sobre el gatillo y que se extraiga el cartucho de batería antes de cargar los clavos.
- No deslice de manera abrupta la compuerta corredera de la clavadora cargada con clavos. Dejar caer clavos accidentalmente, especialmente cuando se trabaja en lugares elevados, puede causar lesiones personales.
- Cargue los clavos en la dirección correcta. Una carga en la dirección equivocada puede provocar un desgaste prematuro de la clavadora y años en otras piezas.
- No use clavos conectados deformados. Use los clavos que se especifican en este manual. El uso de clavos diferentes a los especificados puede causar un atascamiento de los clavos y romper la clavadora.



- 1. Palanca de bloqueo 2. Compuerta corredera
3. Guía de engrapado 4. Cartucho

Presione la palanca de bloqueo y abra la compuerta corredera del cartucho.

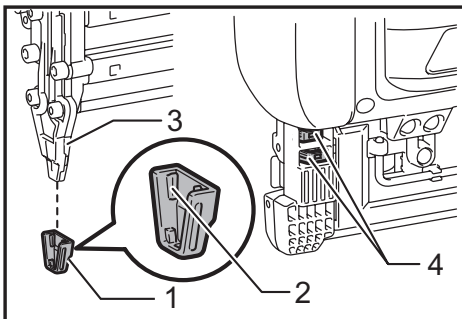


- 1. Clavos 2. Compuerta corredera 3. Guía de engrapado

Coloque la tira de clavos de modo que las puntas de los clavos toquen la parte inferior de la ranura del cartucho y deslice la tira de clavos hacia la apertura de clavado. Retorne la compuerta corredera a la posición original hasta que la palanca de bloqueo la bloquee. Para quitar los clavos, presione la palanca de bloqueo y deslice la compuerta corredera. Extraiga los clavos de la ranura del cartucho.

Adaptador de nariz**⚠PRECAUCIÓN:**

- Asegúrese siempre de que los dedos no se ubiquen en el gatillo, y que se extraiga el cartucho de batería y los clavos antes de instalar el adaptador de nariz.



- 1. Adaptador de nariz 2. Protuberancia 3. Placa central 4. Soporte

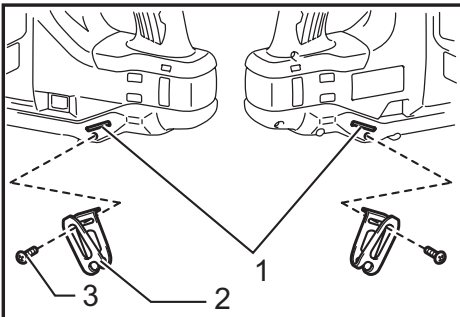
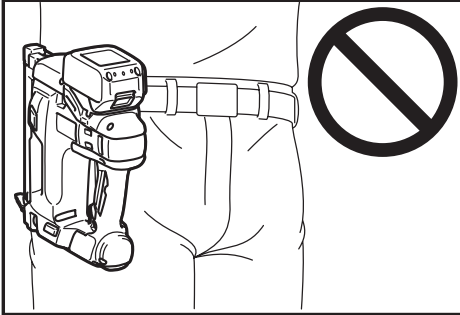
Al clavar clavos en material que se va a sujetar con superficies frágiles, use el adaptador de nariz. Para instalar el adaptador de nariz, colóquelo sobre la placa central de modo que la protuberancia al interior del adaptador de nariz se ajuste a la ranura de la cubierta de la guía de clavado.

Cuando no se utilice, guarde el adaptador de nariz en el soporte en el extremo posterior de la compuerta corredera para evitar que se pierda. Se puede guardar un total de dos adaptadores de nariz.

Gancho

⚠ PRECAUCIÓN:

- Asegúrese siempre de que los dedos no se ubiquen en el gatillo, y que se extraiga el cartucho de batería y los clavos antes de usar el gancho.
- No cuelgue el gancho del cinturón. Dejar caer la clavadora debido a que el gancho se soltó accidentalmente, puede causar un clavado accidental y ocasionar lesiones personales.

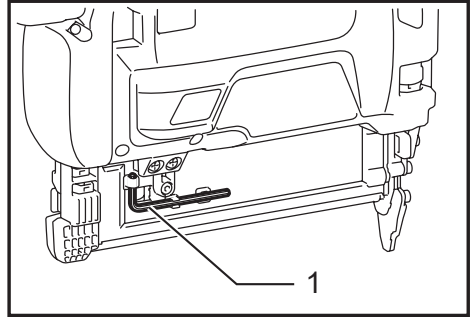


► 1. Ranura 2. Gancho 3. Tornillo

El gancho resulta útil para colgar temporalmente la herramienta. Se puede instalar en cualquiera de los lados de la herramienta.

Para instalar el gancho, insértelo en una ranura del alojamiento de la herramienta de cualquiera de los lados y después sujételo con un tornillo. Para quitarlo, afloje el tornillo y después sáquelo.

Almacenamiento de la llave de Allen (hexagonal)



► 1. Llave hexagonal

Cuando no la utilice, guarde la llave de Allen como se muestra en la figura para evitar que se pierda.

OPERACIÓN

Inspección de la función del gatillo

⚠ PRECAUCIÓN:

- Asegúrese de que la función del gatillo esté funcional antes de cada operación. Si encuentra los problemas que se encuentran a continuación, pregunte en los Centros de Servicio Autorizados de Makita para obtener información sobre las reparaciones.
- Antes de colocar el cartucho de la batería, compruebe siempre que el gatillo interruptor se acciona debidamente y que vuelve a la posición de apagado ("OFF") cuando lo suelta.

La herramienta no debe operarse solo tirando del gatillo o colocando el elemento de contacto contra la pieza de trabajo.

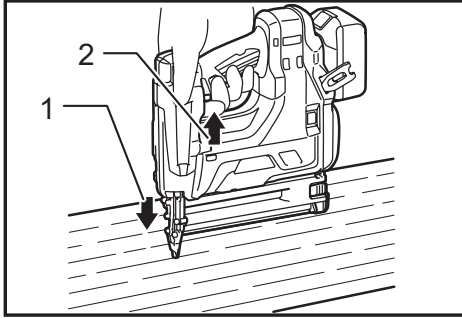
Colocación de clavos

⚠ PRECAUCIÓN:

- Asegúrese de colocar siempre el elemento de contacto contra la pieza de trabajo antes de tirar del gatillo.

Selecione el modo de clavado presionando el botón de selección de modo como se menciona en la sección "Selección del modo de clavado".

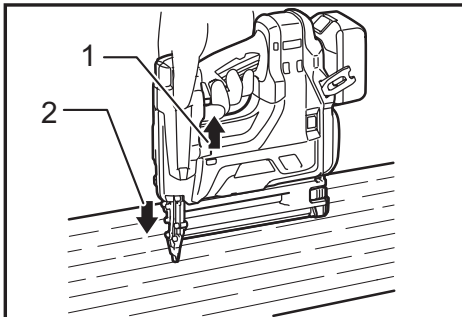
Clavado intermitente (modo secuencial)



- 1. Coloque el elemento de contacto contra la pieza de trabajo. 2. Jale el gatillo

Para clavar un clavo, ponga el botón de bloqueo en la posición "FREE" (Libre). Coloque el elemento de contacto contra la pieza de trabajo y luego tire del gatillo. Libere el gatillo después de cada operación.

Clavado continuo/intermitente (modo continuo)



- 1. Jale el gatillo 2. Coloque el elemento de contacto contra la pieza de trabajo.

Cuando la herramienta se establece en el modo continuo, puede operar el clavado continuo o intermitente. Para clavar un clavo, ponga el botón de bloqueo en la posición "FREE" (Libre).

- Para un clavado continuo, tire primero del gatillo y luego coloque el elemento de contacto contra la pieza de trabajo. Para la siguiente activación, no es necesario que libere el gatillo.
- Para un clavado intermitente, coloque el elemento de contacto contra la pieza de trabajo y tire del gatillo. Para la siguiente activación, necesita primer restablecer el gatillo.

NOTA:

- Esta herramienta se detiene automáticamente bajo las siguientes condiciones:
- Si libera el gatillo o el elemento de contacto de la pieza de trabajo antes de que la herramienta finalice completamente la operación. En esta situación, vuelva a tirar del gatillo hasta que la herramienta quede en espera.

- Cuando se mantiene tirando del gatillo o dejando el elemento de contacto aproximadamente 5 segundos sin ninguna otra acción. En este caso, libere el gatillo o el elemento de contacto desde la pieza de trabajo para reiniciar la operación.

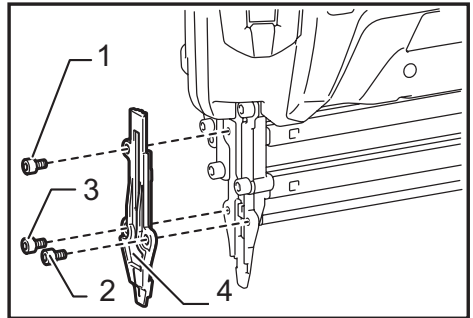
Mecanismo anti disparador en seco.

Esta herramienta viene equipada con un mecanismo contra la activación en seco. Se detiene automáticamente el clavado de los clavos cuando se terminan los clavos remanentes. En este caso, cargue más clavos para reanudar la operación.

Extracción de clavos atascados

⚠ ADVERTENCIA:

- Asegúrese siempre de que el gatillo es deliberado, y de que el cartucho de la batería y los clavos se hayan extraído antes de quitar los clavos atascados.



- 1. Perno hexagonal A 2. Perno hexagonal B
3. Perno hexagonal C 4. Cubierta de la guía de clavado

Retire los pernos hexagonales que fijan la cubierta de la guía de clavado con la llave hexagonal.

Retire los clavos atascados de la ranura guía de clavos que apareció.

Fije la cubierta de la guía de clavado con los pernos hexagonales en el orden correcto. Apriete el perno hexagonal A, B y luego el C.

NOTA:

- Después de fijar la cubierta de la guía de clavado, asegúrese siempre de que la cubierta de la guía de clavado actúe correctamente. Si no actúa correctamente, retire los pernos hexagonales y vuelva a instalar la cubierta de la guía de clavado.

Clavos

Manipule los clavos y su caja con cuidado. Si los clavos se han manipulado de manera brusca, es posible que hayan perdido su forma o sus conectores se quiebren, lo que causa una mala alimentación de los clavos. Evite guardar clavos en un lugar húmedo o caluroso o colocarlos expuestos a la luz solar directa.

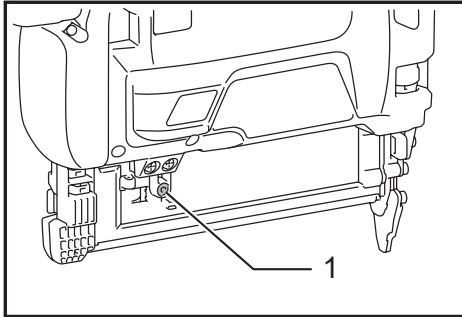
MANTENIMIENTO

⚠️ PRECAUCIÓN:

- Asegúrese siempre de que la herramienta esté apagada y que el cartucho de batería y los clavos se hayan extraído antes de intentar realizar una inspección o mantenimiento.
- Nunca use gasolina, bencina, diluyente (tíner), alcohol o sustancias similares. Puede que esto ocasione grietas o descoloramiento.

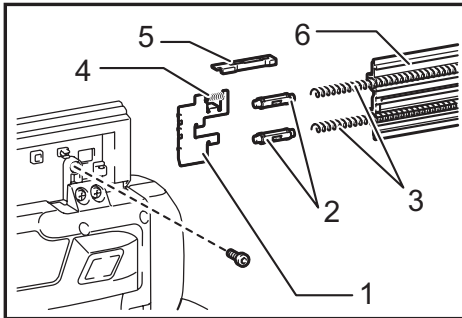
Limpieza del cartucho

Cuando el elemento de empuje en el cartucho no se mueve suavemente debido al polvo, arena, astillas u otros materiales extraños, limpie el cartucho.



► 1. Tornillo hexagonal

Para retirar la compuerta corrediza, afloje el perno hexagonal del cartucho.



► 1. Propulsor 2. Base de mandril 3. Resorte (grande)
4. Resorte (pequeño) 5. Tapón 6. Compuerta corrediza

Tire el elemento de empuje desde la compuerta corrediza y luego retire el tope, las mangas y los resortes. Después de limpiar, instale todas las piezas en la compuerta corrediza. Para instalarlas, siga el siguiente procedimiento.

1. Instale el resorte grande en la compuerta corrediza.
2. Instale las piezas en el elemento de empuje en el orden correcto, manga, resorte pequeño y luego el tope.
3. Instale el elemento de empuje con las otras piezas en la compuerta corrediza.

NOTA:

- Cuando tire el elemento de empuje de la compuerta corrediza, las piezas en la compuerta corrediza pueden rebotar hacia afuera.
- Cuando instale el elemento de empuje con las otras piezas en la compuerta corrediza, permita que haya espacios pequeños entre el elemento de empuje y las mangas.

Para mantener la SEGURIDAD y FIABILIDAD del producto, las reparaciones, y cualquier otra tarea de mantenimiento o ajuste deberán ser realizadas en Centros de Servicio Autorizados por Makita, empleando siempre repuestos Makita.

ACCESORIOS OPCIONALES

⚠️ PRECAUCIÓN:

- Estos accesorios o aditamentos (incluidos o no) están recomendados para utilizar con su herramienta Makita especificada en este manual. El empleo de cualesquiera otros accesorios o acoplamientos conllevará un riesgo de sufrir heridas personales. Utilice los accesorios o acoplamientos solamente para su fin establecido.

Si necesita cualquier ayuda para más detalles en relación con estos accesorios, pregunte a su centro de servicio Makita local.

- Clavos
- Batería y cargador originales de Makita

NOTA:

- Algunos de los artículos en la lista puede que vengan junto con el paquete de la herramienta como accesorios incluidos. Puede que estos accesorios varíen de país a país.

GARANTÍA LIMITADA DE MAKITA

Ésta Garantía no aplica para México

Consulte la hoja de la garantía anexa para ver los términos más vigentes de la garantía aplicable a este producto. En caso de no disponer de esta hoja de garantía anexa, consulte los detalles sobre la garantía descritos en el sitio web de su país respectivo indicado a continuación.

Estados Unidos de América: www.makitatools.com

Canadá: www.makita.ca

Otros países: www.makita.com

< USA only >

WARNING

Some dust created by power sanding, sawing, grinding, drilling, and other construction activities contains chemicals known to the State of California to cause cancer, birth defects or other reproductive harm. Some examples of these chemicals are:

- lead from lead-based paints,
- crystalline silica from bricks and cement and other masonry products, and
- arsenic and chromium from chemically-treated lumber.

Your risk from these exposures varies, depending on how often you do this type of work. To reduce your exposure to these chemicals: work in a well ventilated area, and work with approved safety equipment, such as those dust masks that are specially designed to filter out microscopic particles.

< Sólo en los Estados Unidos >

ADVERTENCIA

Algunos polvos creados por el lijado, aserrado, esmerilado, taladrado y otras actividades de la construcción contienen sustancias químicas reconocidas por el Estado de California como causantes de cáncer, defectos de nacimiento y otros peligros de reproducción. Algunos ejemplos de estos productos químicos son:

- plomo de pinturas a base de plomo,
- sílice cristalino de ladrillos y cemento y otros productos de albañilería, y
- arsénico y cromo de maderas tratadas químicamente.

El riesgo al que se expone varía, dependiendo de la frecuencia con la que realice este tipo de trabajo. Para reducir la exposición a estos productos químicos: trabaje en un área bien ventilada y póngase el equipo de seguridad indicado, tal como las máscaras contra polvo que están especialmente diseñadas para filtrar partículas microscópicas.

Makita Corporation

3-11-8, Sumiyoshi-cho,
Anjo, Aichi 446-8502 Japan

www.makita.com

885334F935
DBN500-1
EN, FRCA, ESMX
20180801